

TYPE

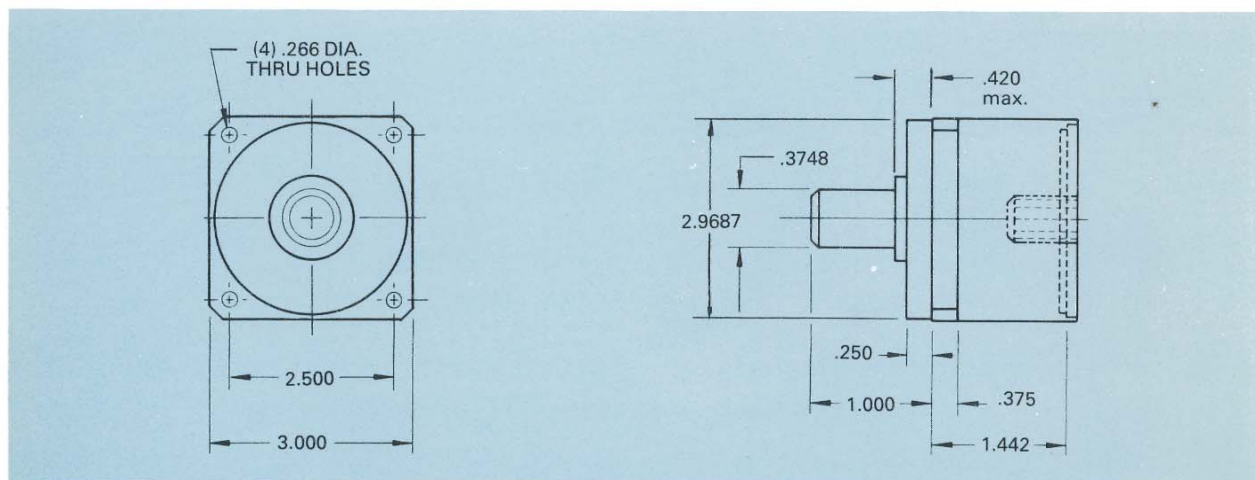
28

FEATURES

- Life – 5000 hrs.
- Operating temp. range
–65°C to +225°C
- Low backlash/compliance
- Low backdriving torque
- Rugged stainless steel construction
- Hardened gears



MECHANICAL DATA



PERFORMANCE DATA

GEARHEAD TYPE	28-6D	28-3R	28-2D	28-1R	28-1D	28-1R
RUNNING TORQUE (LB-IN)	210	105	70	35	35	35
STALL TORQUE (LB-IN)	420	210	140	70	70	70
BACKLASH* (ARC-MIN)	10	10	15	30	30	30
RATIO RANGE	3.56 TO 16.8	19.2 TO 90.8	104 TO 490	501 TO 1250	1430 TO 6770	6920 TO 17,300

*With 5 oz-in reversing load.
Weight – 28.0 oz.

NOTES: 1 – Other mounting and shaft configurations on request.
2 – Slip clutches available on request on all ratios.
3 – Specific ratios on request.