

1750 Series

Models 1751, 1751ES, 1753 & 1753ES dual coil solenoids

Pull Force Range: 19-25 lbs (85-111 N)
Hold Force Range: 38-43 lbs (169-191 N)

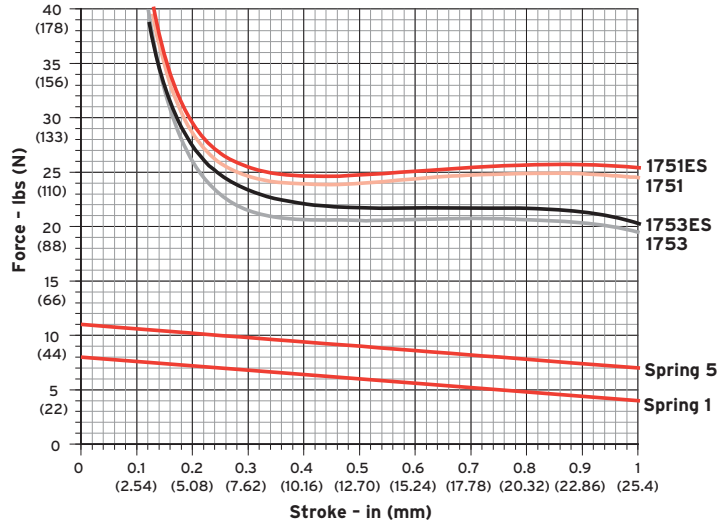


Model	Rated Voltage	Pull Rating*	Hold Rating*
1751	12/24 Vdc	24 lbs (107 N)	38 lbs (169 N)
1751ES	12/24 Vdc	25 lbs (111 N)	41 lbs (182 N)
1753	12/24 Vdc	19 lbs (85 N)	42 lbs (187 N)
1753ES	12/24 Vdc	20 lbs (89 N)	43 lbs (191 N)

*At rated voltage, 68°F (20°C), and 1" (25.4 mm) stroke

Return Spring

Model	Force @ 1"
S1 Light	4-8 lbs (17.8-35.6 N)
S5 Medium	7-11 lbs (31.1-48.9 N)



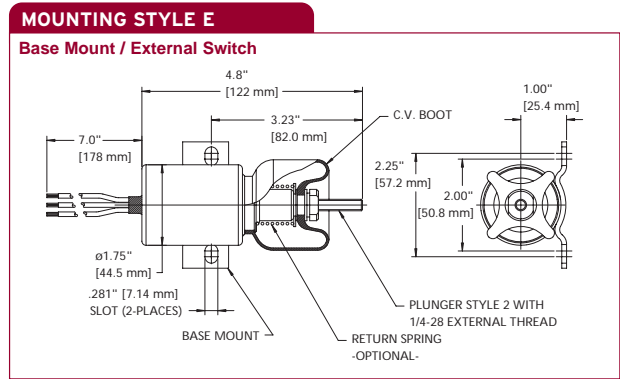
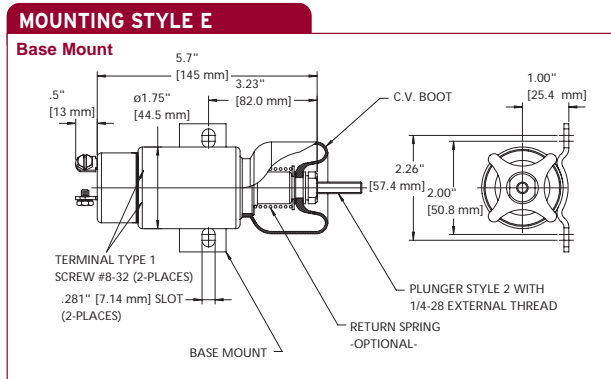
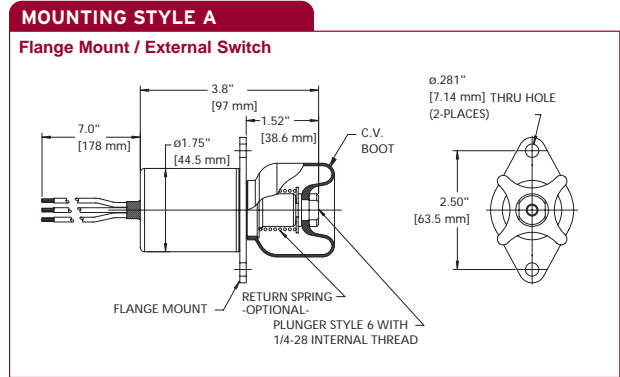
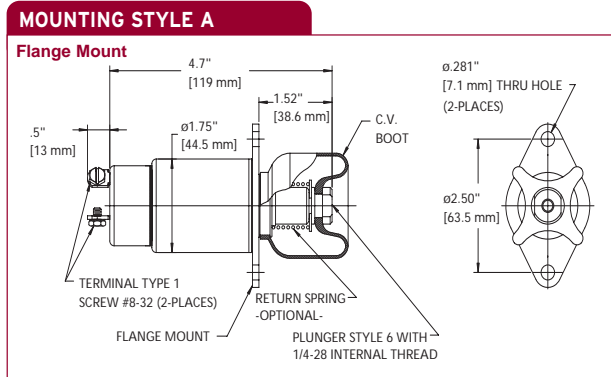
Order Information: Complete the following model descriptions to build your Order No.

()	()	()	()	()	()	()	()
Model No.	Volts	Mounting Style	Plunger Type	Grounding (No. of Terminals)	Termination Type	Boot Type	Return Spring (Force @ 1")
1751	12 12 Vdc	A Flange	2 Ext. Thread ¼-28	U Ungrounded 1751 and 1751ES: (3 Terminals or Wire Leads) 1751, 1753 and 1753ES: (2 Terminals)	1 Screw (1751 and 1753 only)	B1 Constant Volume Silicone Rubber	S1 Light (4-8 lbs)
1751ES	24 24 Vdc	E Base	3 Ext. Thread M-6		2 Spade (1751 and 1753 only)	B2 Bellows Silicone Rubber	S5 Medium (7-11 lbs) Available on 1751 and 1751ES only
1753			6 Int. Thread ¼-28		L 3 Wire Leads	B4 Bellows Silicone Rubber	
1753ES			7 Int. Thread M-6		C Connector attached to 3 Wire Leads		

Note: Contact factory for type and availability

When you order: Add A to your order number for the Aux Terminal option available on internally switched models. Certain combinations may not be standard models. Please contact factory to determine whether a custom-built model is required for your application.

Mounting Styles:



Specifications:

Temperature Range	-40 °F to +250 °F (-40 °C to +121 °C)
Weight	1.5 lbs (0.7 kg)

Model	Rated Voltage	Rated Stroke	Pull Current	Hold Current	Pull Rating*	Hold Rating*	Coil Winding
1751	12 Vdc	1" (25.4 mm)	46 A	1.1 A	24 lbs (107 N)	38 lbs (169 N)	Parallel
1751	24 Vdc	1" (25.4 mm)	25 A	0.5 A	24 lbs (107 N)	38 lbs (169 N)	Parallel
1751ES	12 Vdc	1" (25.4 mm)	46 A	1.1 A	25 lbs (111 N)	41 lbs (182 N)	Parallel
1751ES	24 Vdc	1" (25.4 mm)	25 A	0.5 A	25 lbs (111 N)	41 lbs (182 N)	Parallel
1753	12 Vdc	1" (25.4 mm)	33 A	0.8 A	19 lbs (85 N)	42 lbs (187 N)	Parallel
1753	24 Vdc	1" (25.4 mm)	18 A	0.4 A	19 lbs (85 N)	42 lbs (187 N)	Parallel
1753ES	12 Vdc	1" (25.4 mm)	33 A	0.8 A	20 lbs (89 N)	43 lbs (191 N)	Parallel
1753ES	24 Vdc	1" (25.4 mm)	18 A	0.4 A	20 lbs (89 N)	43 lbs (191 N)	Parallel

*At rated voltage, 68°F (20°C), and 1" (25.4 mm) stroke

Specifications are for reference only.

e-mail: icinfo@woodward.com