

2000 Series

Models 2001, 2001ES, 2003, 2003ES dual coil solenoids

Pull Force Range: 21-29 lbs (93-129 N)

Hold Force Range: 41-51 lbs (182-227 N)

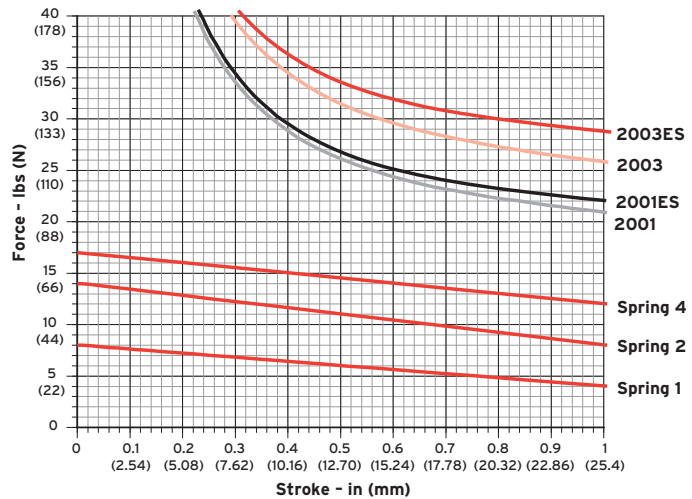


Model	Rated Voltage	Pull Rating*	Hold Rating*
2001	12/24 Vdc	21 lbs (93 N)	49 lbs (218 N)
2001ES	12/24 Vdc	22 lbs (98 N)	43 lbs (191 N)
2003	12/24 Vdc	26 lbs (116 N)	51 lbs (227 N)
2003ES	12/24 Vdc	29 lbs (129 N)	41 lbs (182 N)

*At rated voltage, 68°F (20°C), and 1" (25.4 mm) stroke

Return Spring

Model	Force @ 1"
S1 Light	4-8 lbs (17.8-35.6 N)
S2 Medium	8-14 lbs (35.6-62.3 N)
S4 Heavy	14-17 lbs (62.3-75.6 N)



Order Information: Complete the following model descriptions to build your Order No.

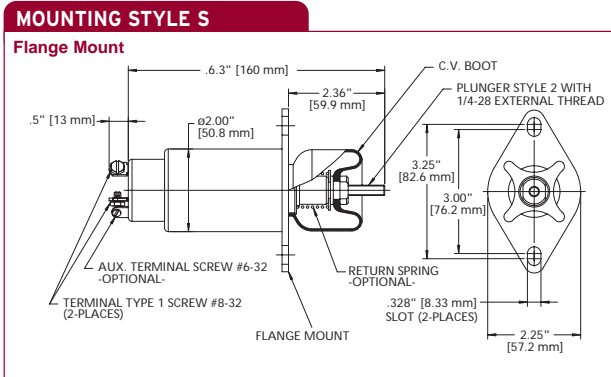
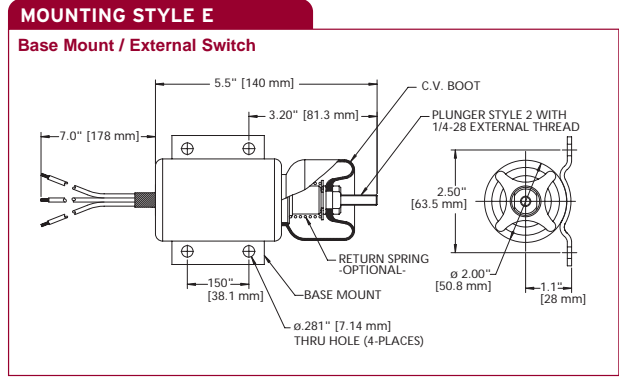
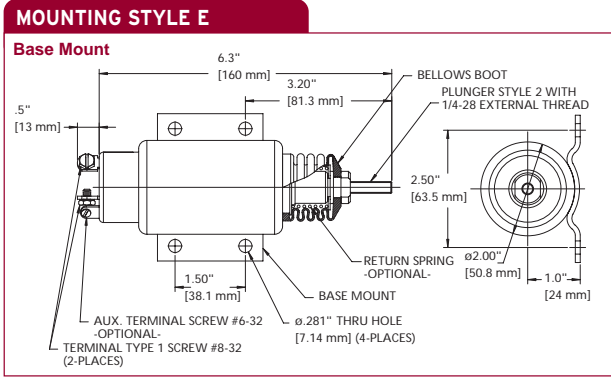
() - () () () () () () ()

Model No. 2001	Volts 12 12 Vdc	Mounting Style E Base	Plunger Type 2 Ext. Thread 1/4-28	Grounding (No. of Terminals) G Grounded (1 Terminal)	Termination Type 1 Screw	Boot Type B1 Constant Volume Silicone Rubber	Return Spring (Force @ 1") S1 Light (4-8 lbs)
2003	24 24 Vdc	S* Flange	3 Ext. Thread M-6	U Ungrounded 2001 and 2003: (2 Terminals) 2001ES and 2003ES: (3 Terminals or Wire Leads)	L 3 Wire Leads Note: 2001ES and 2003ES only	B2 Bellows Silicone Rubber	S2 Medium (8-14 lbs)
2001ES			6 Int. Thread 1/4-28			B3 Constant Volume Silicone Rubber Red	S4 Heavy (12-17 lbs) Available on 2003 and 2003ES only
2003ES			7 Int. Thread M-6		C Connector attached to 3 Wire Leads Note: Contact factory for type and availability, 2001ES and 2003ES only	B4 Bellows Silicone Rubber	
						B5 Constant Volume Silicone Rubber	

*Flange mounting not available for ES models.

When you order: Add A to your order number for the Aux Terminal option or C for the Conduit Cover available on internally switched models. Certain combinations may not be standard models. Please contact factory to determine whether a custom-built model is required for your application.

Mounting Styles:



Specifications:

Temperature Range	-40 °F to +250 °F (-40 °C to +121 °C)
Weight	2.5 lbs (1.2 kg)

Model	Rated Voltage	Rated Stroke	Pull Current	Hold Current	Pull Rating*	Hold Rating*	Coil Winding
2001	12 Vdc	1" (25.4 mm)	44 A	0.6 A	21 lbs (93 N)	49 lbs (218 N)	Series
2001	24 Vdc	1" (25.4 mm)	23 A	0.3 A	21 lbs (93 N)	49 lbs (218 N)	Series
2001ES	12 Vdc	1" (25.4 mm)	44 A	0.6 A	22 lbs (98 N)	43 lbs (191 N)	Parallel
2001ES	24 Vdc	1" (25.4 mm)	23 A	0.3 A	22 lbs (98 N)	43 lbs (191 N)	Parallel
2003	12 Vdc	1" (25.4 mm)	60 A	0.8 A	26 lbs (116 N)	51 lbs (227 N)	Series
2003	24 Vdc	1" (25.4 mm)	37 A	0.4 A	26 lbs (116 N)	51 lbs (227 N)	Series
2003ES	12 Vdc	1" (25.4 mm)	62 A	0.9 A	29 lbs (129 N)	41 lbs (182 N)	Parallel
2003ES	24 Vdc	1" (25.4 mm)	39 A	0.5 A	29 lbs (129 N)	41 lbs (182 N)	Parallel

*At rated voltage, 68°F (20°C), and 1" (25.4 mm) stroke

Specifications are for reference only.

e-mail: icinfo@woodward.com