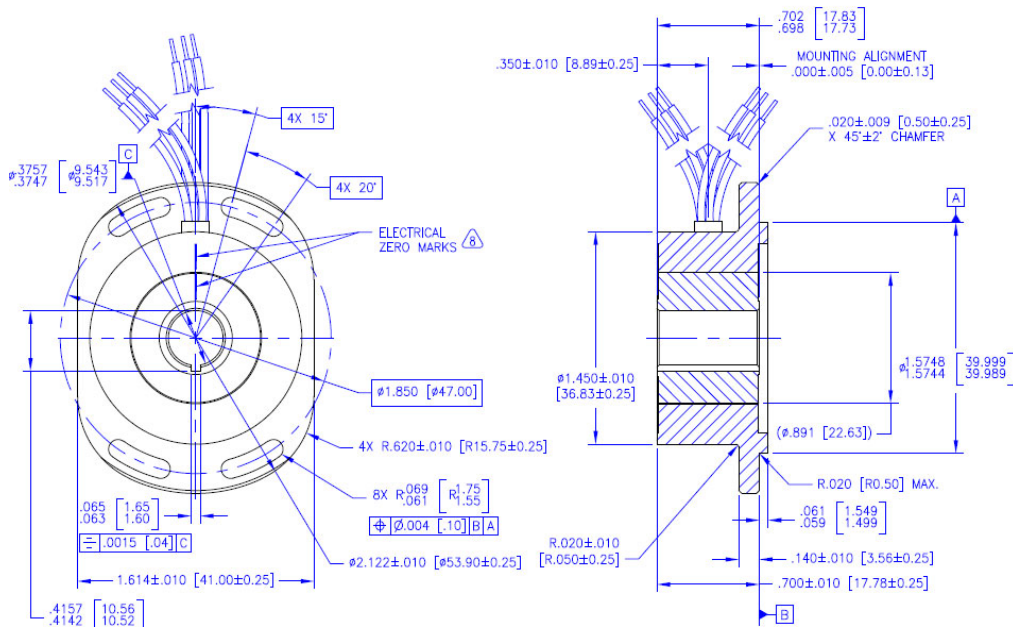
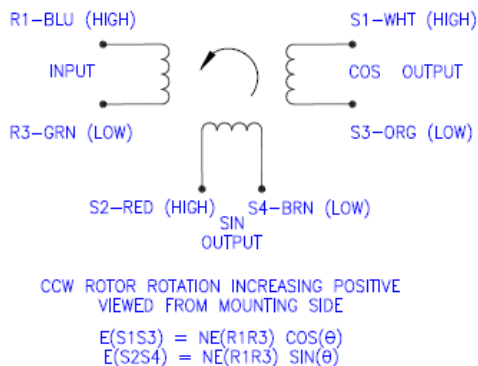


Brushless Synchro/Resolvers

- Brushless Size 15 resolver
- Overmolded rotor
- Can be used in fluid-immersed applications
- High speed capability
- Limited quantities available from stock
- Accuracy: ± 15 arc-minutes over 360°
- Order Catalog Item: **332706A**



WIRING DIAGRAM



Resolver Characteristics at +23°C \pm 5°C		
Speed		1X
Rotor as Primary	Input Voltage (Vrms)	5.5
	Input Frequency (Hz)	5400
	Input Current (mA max.)	80
	Input Power (mW max.)	310
	Transformation Ratio	0.36 \pm 6%
	Phase Shift	10 \pm 8
	Accuracy (arc-minutes max.)	± 15
Operating Range (Angular Degrees)	360	
Weight (oz max.)		6.0 (170g)