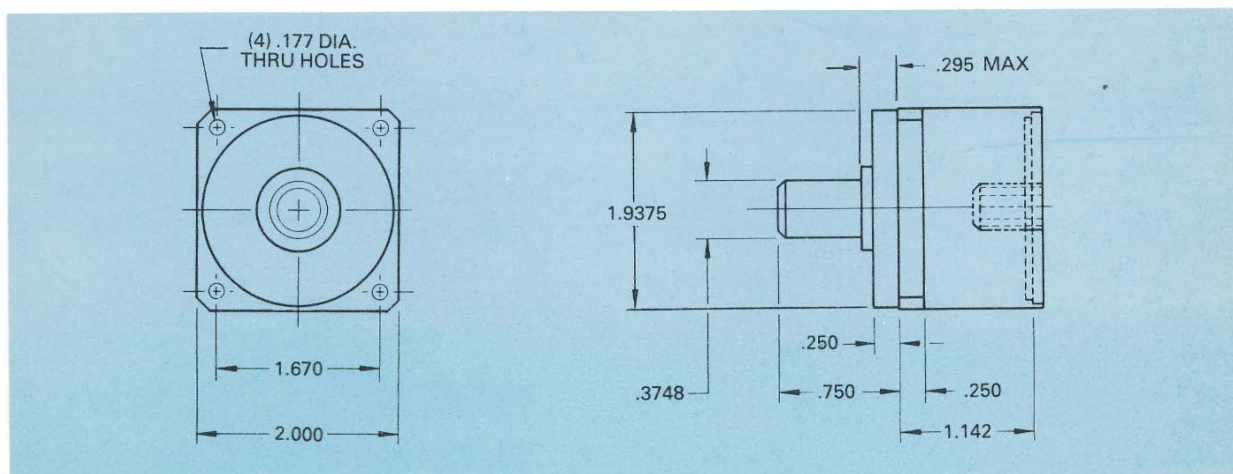


## MECHANICAL DATA



## PERFORMANCE DATA

GEARHEAD TYPE	18-6D	18-3R	18-2D	18-1R	18-1D	18-1R
RUNNING TORQUE (LB-IN)	30	240 15	160 10	5	80 5	5
STALL TORQUE (LB-IN)	60	30	20	10	10	10
BACKLASH* (ARC-MIN)	10	10	15	30	30	30
RATIO RANGE	1.97 TO 20.50	21.7 TO 78.0	82.4 TO 296	313 TO 1130	1190 TO 4280	4340 TO 11,100

\*With 5 oz-in reversing load.  
Weight – 10.7 oz.

**NOTES:** 1. Other mounting and shaft configurations on request.  
2. Slip clutches available on all ratios.  
3. Specific ratios on request.