

Single Coil Solenoids

1510S Series

Typically designed for continuous duty, with single coil performing both the pull and hold function for the solenoid.



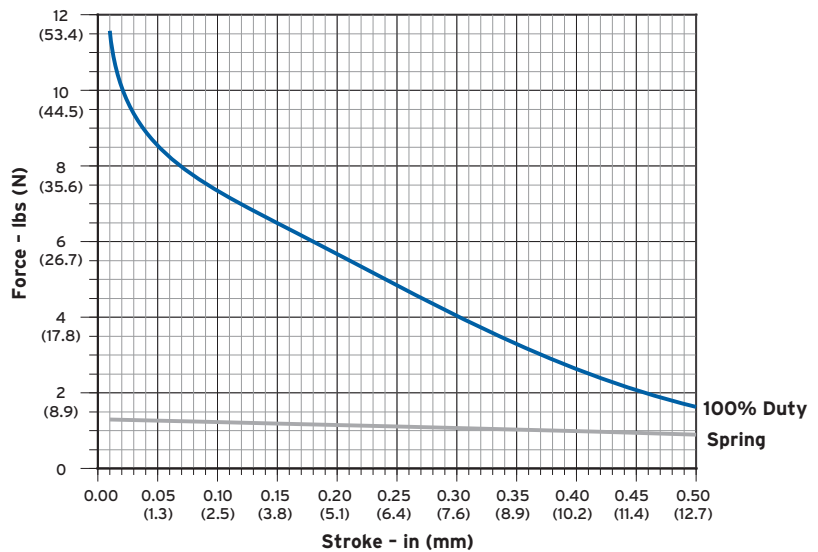
Features:

- Continuous duty operation
- Hard chrome plated plunger for smooth, reliable, wear-resistant operation
- Brass liner plunger bore for long life
- Corrosion resistant plated steel housing and mounting base/flange
- Potted coil construction
- Variety of options for mounting bases/flanges, plungers, terminations, boots, and springs
- 100% inspected and factory tested

Order Information:

ORDER NO.	Model	Termination
SA-4741	0151	Leads

1510S Standard Force Curve

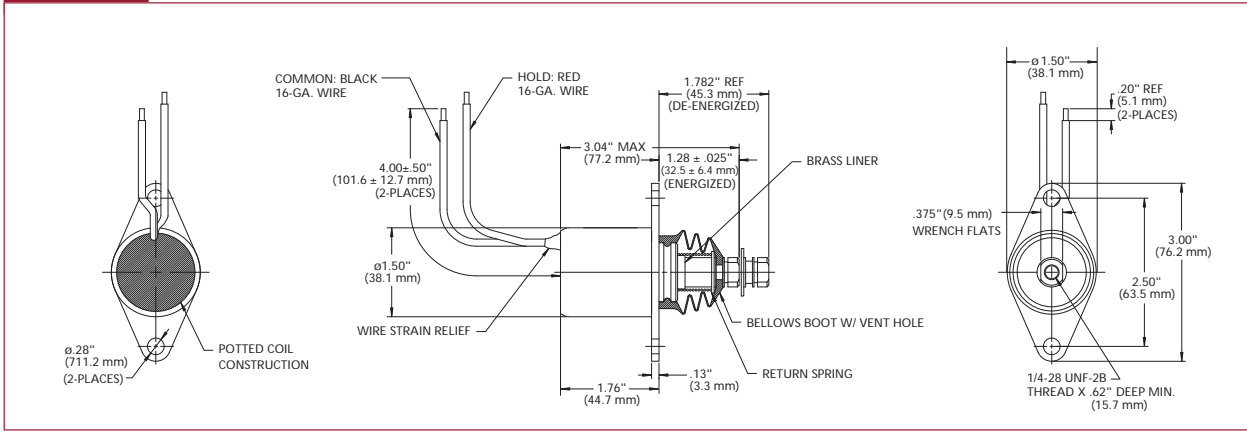


E.E.C. Directive Compliance: All parts supplied by Woodward Products are classified as components, and therefore are not "CE" marked. Please contact factory direct for details on specific product compliance with 89/336/EEC and 89/392/EEC directives.

1510S Series

Single Coil Solenoids

SA-4741



Specifications:

Rated Voltage	12 VDC
Rated Current	4.7 A
Rated Temperature	68 °F (20 °C)
Temperature Range	-20 °F to +250 °F (-29 °C to +121 °C)
Nominal Rated Stroke	0.5" (12.7 mm)
Pull Force	Must pull in against return spring at 9 VDC and 100 °F (38 °C) or 2.25 lbs min. (10 N) at rated voltage
Hold Force	Must hold return spring at 9 VDC and 100 °F (38 °C) or 8 lbs (35.6 N) at rated voltage
Nominal Spring Return	
De-energized:	1.16 ± 0.16 lbs (5.16 ± 0.71 N)
Energized:	1.56 ± 0.25 lbs (6.94 ± 1.11 N)
Pull Coil Resistance	2.53 ohms ± 10%
Duty Cycle	Intermittent, 25% duty cycle, 5 minutes maximum ON time
Vibration	15 G's @ 50-500 Hz
Shock	200 G's, 0-peak @ 21 Hz

Specifications are for reference only.

e-mail: icinfo@woodward.com