

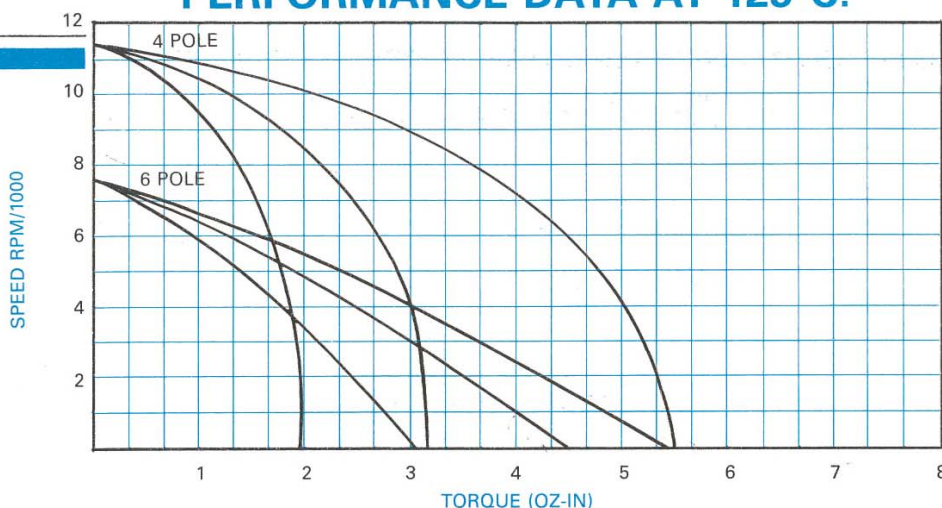
FEATURES

- Life – 5000 Hrs.
- Operating temp. range –65°C to +225°C
- Mil S – 22432 Qualified
- Low inertia
- Power output – 21.3 Watts
- Torque capacity – 6 In.-Oz.



TYPE
D

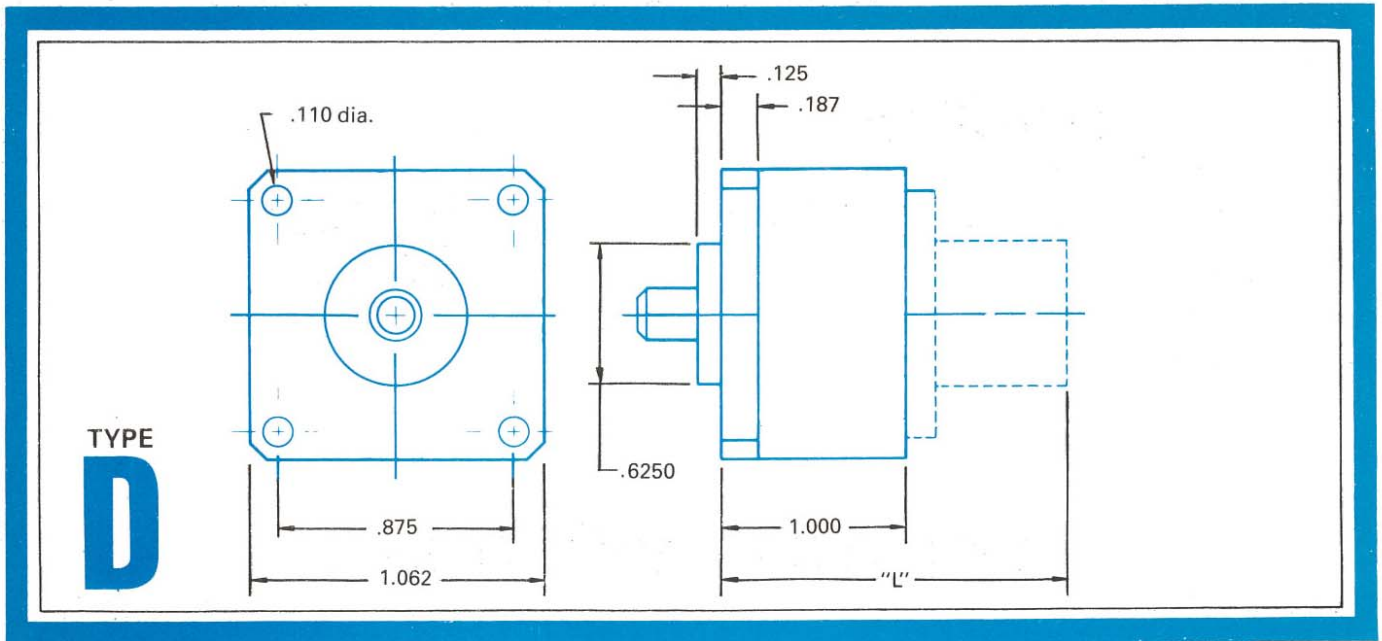
PERFORMANCE DATA AT 125°C.



MOTOR TYPE	TWO PHASE DATA AT +125°C UNIT TEMPERATURE 400 Hz													
	POWER OUT	TORQUE	POWER INPUT (WATTS)		POWER FACTOR		TOTAL POWER LOSS	TORQUE (OZ-IN)		POWER INPUT (WATTS)		POWER FACTOR		TOTAL POWER INPUT
	(WATTS)	(OZ-IN)	Ø1	Ø2	Ø1	Ø2	(WATTS)	125°	25°	Ø1	Ø2	Ø1	Ø2	(WATTS)

4 POLE	DATA AT (8000 RPM)							DATA AT STALL						NO LOAD SPEED
20-20	8.4	1.4	11.8	11.6	.73	.72	15.0	2.1	2.4	20	20	.82	.81	15.5
20-50	13.0	2.2	11.8	35.5	.81	.77	34.3	3.3	4.2	20	50	.82	.86	30.0
50-50	21.3	3.6	31.7	28.7	.74	.67	39.1	5.5	6.9	50	50	.87	.86	29.3

6 POLE	DATA AT (5000 RPM)							DATA AT STALL						NO LOAD SPEED
20-20	5.2	1.4	15.3	15.5	.46	.46	25.6	3.0	4.4	20	20	.68	.68	25.4
20-50	7.0	1.9	16.4	48.7	.40	.65	58.1	4.4	6.0	20	50	.68	.74	65.1
50-50	8.1	2.2	54.3	54.2	.64	.64	100.4	5.4	7.5	50	50	.74	.74	105.5



MECHANICAL DATA

TYPE	DESCRIPTION	LENGTH "L" (IN)	TOTAL WEIGHT (OZ)	INERTIA
------	-------------	-----------------	-------------------	---------

MOTOR

D400	MOTOR ONLY	1.000	3.1	3.6×10^{-5}
-------------	------------	-------	-----	----------------------

MOTOR BRAKES

SIZE 8	Motor-8 Brake	1.783	6.0	3.7×10^{-5}
SIZE 11	Motor-11 Brake	1.797	6.2	5.2×10^{-5}

MOTOR TACHOMETERS

8S400	Motor-8 Short Tach	1.573	5.5	3.8×10^{-5}
8L400	Motor-8 Tach	1.813	6.2	4.0×10^{-5}
8N400	Motor-8 Network Tach	2.173	6.4	4.8×10^{-5}
11D400	Motor-11 Design Tach	2.256	8.7	10.2×10^{-5}
11N400	Motor-11 Network Tach	2.654	9.2	10.2×10^{-5}

MOTOR TACHOMETERS/BRAKES

8S400	Motor-8 Short Tach-8 Brake	2.406	6.8	4.0×10^{-5}
	Motor-8 Short Tach-11 Brake	2.445	7.0	5.5×10^{-5}
8L400	Motor-8 Tach-8 Brake	2.646	7.5	4.1×10^{-5}
	Motor-8 Tach-11 Brake	2.695	7.7	5.6×10^{-5}
11D400	Motor-11 Design Tach-8 Brake	3.089	10.0	10.4×10^{-5}
	Motor-11 Design Tach-11 Brake	3.138	10.2	11.9×10^{-5}