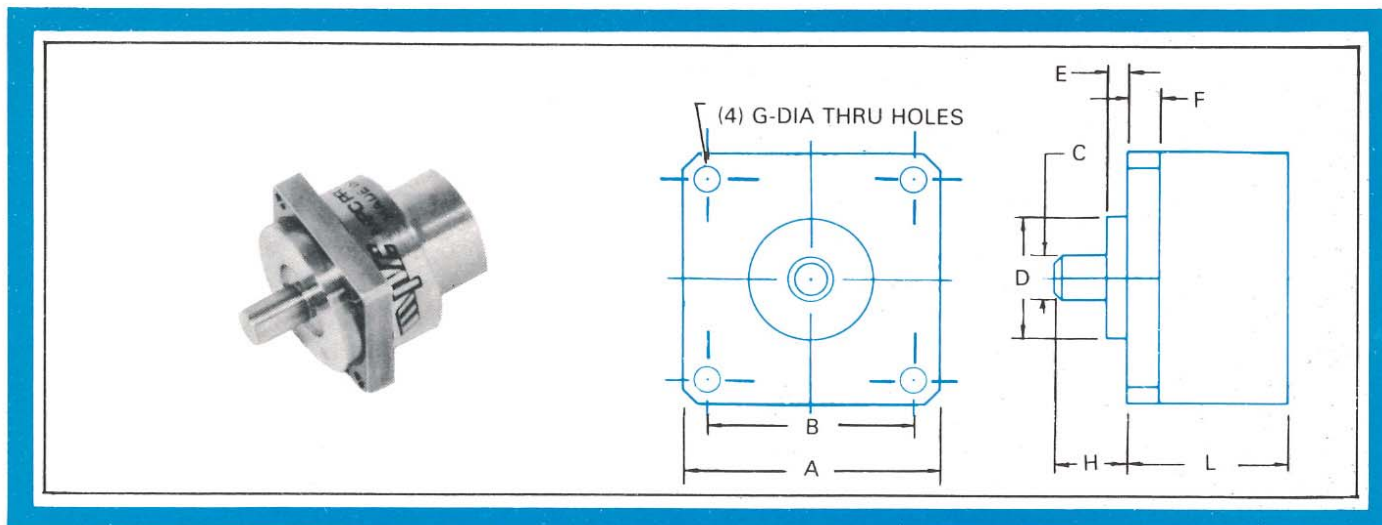


BRAKES



MECHANICAL DATA

TYPE	OUTLINE DIMENSIONS								
	DIA A	LENGTH L	B	C	D	E	F	G	H
SIZE 8	.750	1.080	.620	.2500	.2500	.125	.125	.081	.500
SIZE 11	1.062	1.097	.875	.2500	.2500	.125	.187	.110	.500
SIZE 15	1.437	1.475	1.188	.7500	.2500	.125	.250	.129	.500

PERFORMANCE DATA

BRAKE SPECIFICATIONS AT +25°C		SIZE 8	SIZE 11	SIZE 15
INPUT POWER	(WATTS)	3.6	3.6	5.0
PULL IN VOLTAGE	(VOLTS) (MAX)	16.0	16.0	16.0
DROP OUT VOLTAGE	(VOLTS DC) (MIN)	1.0	1.0	3.0
BRAKE TORQUE	(DE-ENERGIZED) (OZ-IN)	4.0	10.0	50.0
INERTIA	(OZ-IN-SEC ² /10 ⁻⁶)	1.4	16.2	115.0
WEIGHT	(OZ)	1.6	2.5	8.0

Notes: 1 – Other voltages, mounting & shaft variations on request.
2 – Non-friction detent brakes also available.