

LARGE ENGINE SYSTEM SOLUTIONS

FOR A CLEANER, DECARBONIZED WORLD

ON TRACK
TOWARDS A
SUSTAINABLE
FUTURE



P2X

- HYDROGEN
- AMMONIA
- E-METHANE
- METHANE, PROPANE ...
- METHANOL, ETHANOL ...
- DIESEL-LIKE HC
- DME, OME

World-renowned manufacturers of large engines have come to rely on our components. Our mission is to continuously optimize the performance, fuel consumption and service life of complex engine systems. And time after time, we successfully deliver exactly the right solution for each of our customers.

The current challenges we are facing call for the development of innovative system technology and new sustainable fuel solutions to meet increasingly stringent emissions legislation. Power-to-X (P2X) is a concept for using surplus renewable power to produce fuels and chemicals. It is considered a key solution to produce carbon-neutral fuels and we are at the forefront of these developments.

MORE:





MAXIMUM PERFORMANCE WHEN IT COUNTS

SETTING THINGS IN MOTION IS WHAT DRIVES US

Engine control, gas, multi-fuel and diesel injection systems are required to deliver maximum performance under extreme conditions. Whether in the largest marine engines, in the biggest dump trucks or the world's fastest diesel locomotives – innovative technology from us is what they all have in common. As large as the engines and vehicles may be, the tolerances with which the systems are designed and produced are extremely small. High-precision manufacturing techniques – accurate to a thousandth of a millimeter – along with consistent quality controls are the prerequisites for the outstanding performance of our product solutions.

EVERYWHERE PEAK PERFORMANCE COUNTS: LARGE ENGINES WITH OUR SYSTEMS UNLEASH THEIR POWER WITH EXCEPTIONAL EFFICIENCY.



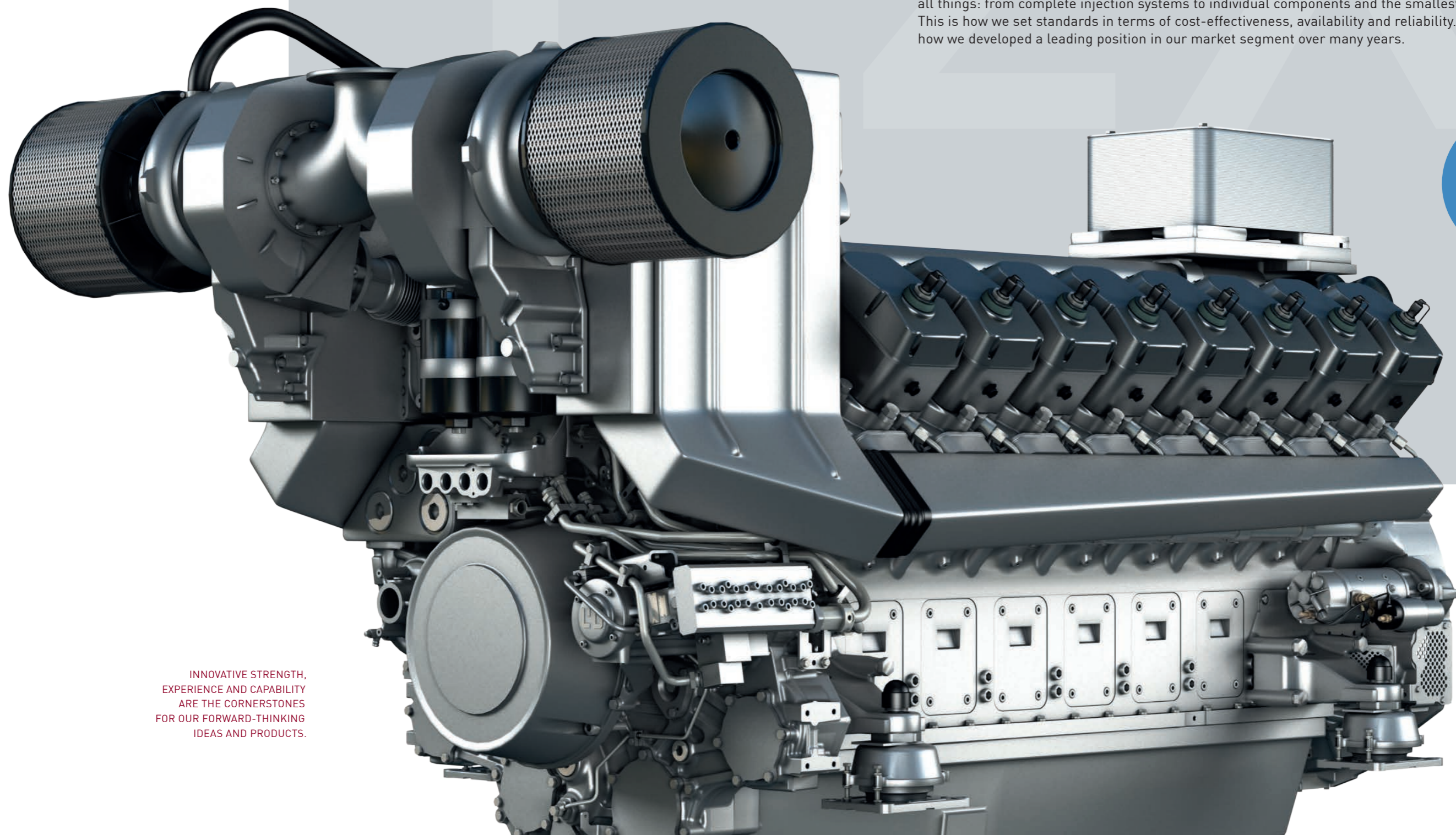
MORE:



WITH INNOVATIVE PRODUCTS, WE ARE MEETING YOUR FUTURE REQUIREMENTS TODAY

More efficiency, lower emissions – your objective is clear. As is what you demand from us. For our entire range of state-of-the-art products and technologies, these two criteria are the measure of all things: from complete injection systems to individual components and the smallest spare parts. This is how we set standards in terms of cost-effectiveness, availability and reliability. And this is how we developed a leading position in our market segment over many years.

TOP
EFFICIENCY,
REDUCED
EMISSIONS



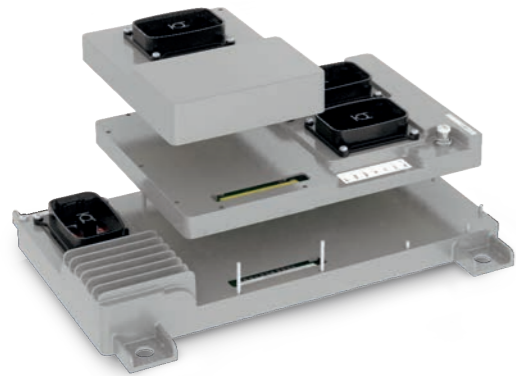
INNOVATIVE STRENGTH,
EXPERIENCE AND CAPABILITY
ARE THE CORNERSTONES
FOR OUR FORWARD-THINKING
IDEAS AND PRODUCTS.

MORE:



ENGINE MANAGEMENT SOLUTIONS

FUEL INJECTION SOLUTIONS



MODULAR FLEXIBLE CONTROLS
LARGE ENGINE CONTROL
MODULES (LECM)



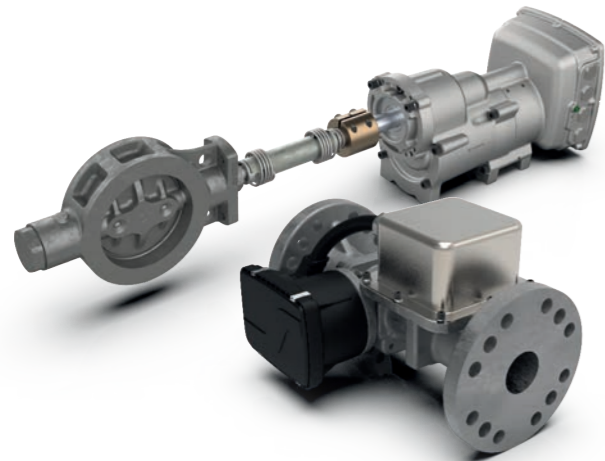
P2X MULTI-FUEL INJECTORS
HIGH-PRESSURE DUAL-
FUEL (HPDF) INJECTORS



GOVERNORS
HYDRAULIC-MECHANICAL
GOVERNORS



SMART INJECTOR TECHNOLOGY
L'IQ - INTELLIGENT
INJECTORS



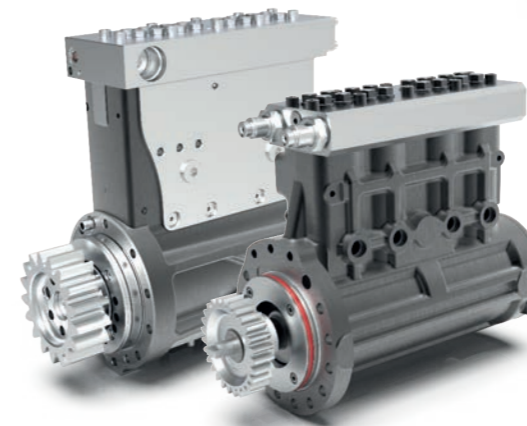
AIR EXHAUST AND FUEL FLOW CONTROLS
VALVES AND ACTUATORS



DUAL-FUEL INJECTORS
SINGLE-NEEDLE
DF INJECTORS



COMBUSTION DIAGNOSTICS AND IGNITION
IGNITION SYSTEMS FOR
HIGH- OR MEDIUM-SPEED



PUMPS
HIGH-PRESSURE
PUMPS



SOGAV™ GAS VALVES
GAS ADMISSION
SOLUTIONS



SPARE PARTS
ORIGINAL SPARE PARTS



EVERYTHING
YOU NEED
TO REACH
YOUR PEAK



WHENEVER
AND WHEREVER
YOU NEED US



IN OVER 60 COUNTRIES WORLDWIDE, OUR PRODUCTS ARE AVAILABLE TO YOU THROUGH US AND OUR DISTRIBUTION PARTNERS.

AT YOUR SIDE – WORLDWIDE

As an independent partner for industrial systems, we are strengthening ourselves for you all around the globe. With our worldwide distributor network, we ensure fast delivery of spare parts and reliable service throughout the entire product lifecycle.

Constructive exchange with our customers based on partnership and trust is our highest priority. Above all, it's about inspiring teamwork with you to find the right solution together. Through targeted task definition and implementation, we develop system solutions that are customized to your specific requirements. And more often than not, it is the interplay of customer wishes and our extensive experience that brings an even better idea to life.



YOUR PARTNER FOR ANY CHALLENGE: CONSTRUCTIVE DIALOGUE IS THE BASIS OF OUR JOINT SUCCESS.

MORE:



CONTACT OUR
SALES TEAM AT:
SALES.LORANGE@WOODWARD.COM
WITH ANY
QUESTIONS

LARGE ENGINE SYSTEM SOLUTIONS FOR A CLEANER, DECARBONIZED WORLD



MORE:



Images: Adobestock, Fotolia, iStock / All trademarks referenced herein, including WOODWARD and the Woodward logo, are registered trademarks of Woodward, Inc. or its subsidiaries

ALWAYS INNOVATING FOR A BETTER FUTURE

Woodward, Inc.
Corporate Headquarters
1081 Woodward Way, Fort Collins Colorado 80524, USA
www.woodward.com

Woodward L'Orange GmbH
Porschestraße 8, 70435 Stuttgart, Germany
sales.lorange@woodward.com
www.woodward.com/wlo

04/22 - IVS - 500

THIS PRODUCT IS PRINTED ON 100% RECYCLED MATERIAL