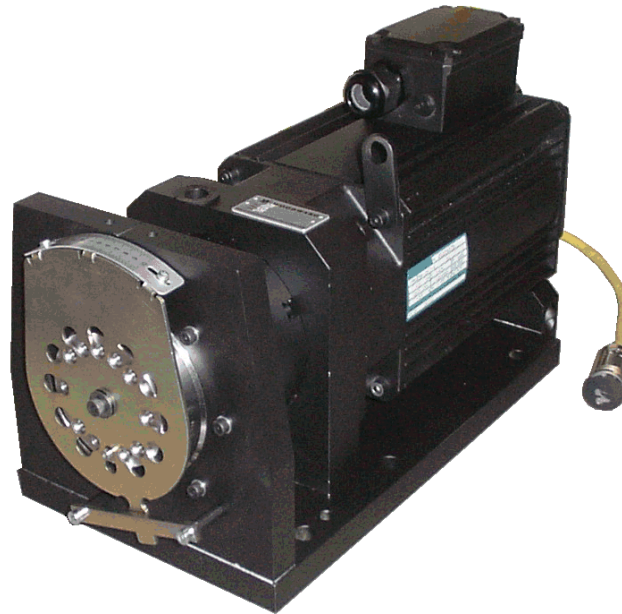
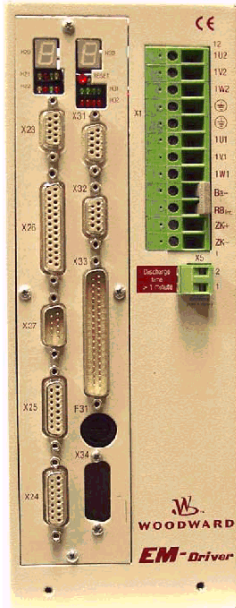


EM-80 and EM-300 Actuators

All-Electric Actuator System



- Fast slew times
- Freely programmable
- Brushless servomotor and resolver
- Precision gearbox, high stiffness, low backlash
- CE marking
- Models with DNV certification
- Cost effective solution

Applications

The EM-80 and EM-300 are intended to be mounted on large diesel, gas, and gasoline engines, and on all types of turbines, to control the position of engine fuel racks, turbine fuel valves, turbine and turbocharger variable geometry, and to handle timing control. These systems are well suited for engines without a mechanical drive or hydraulic oil supply.

Description

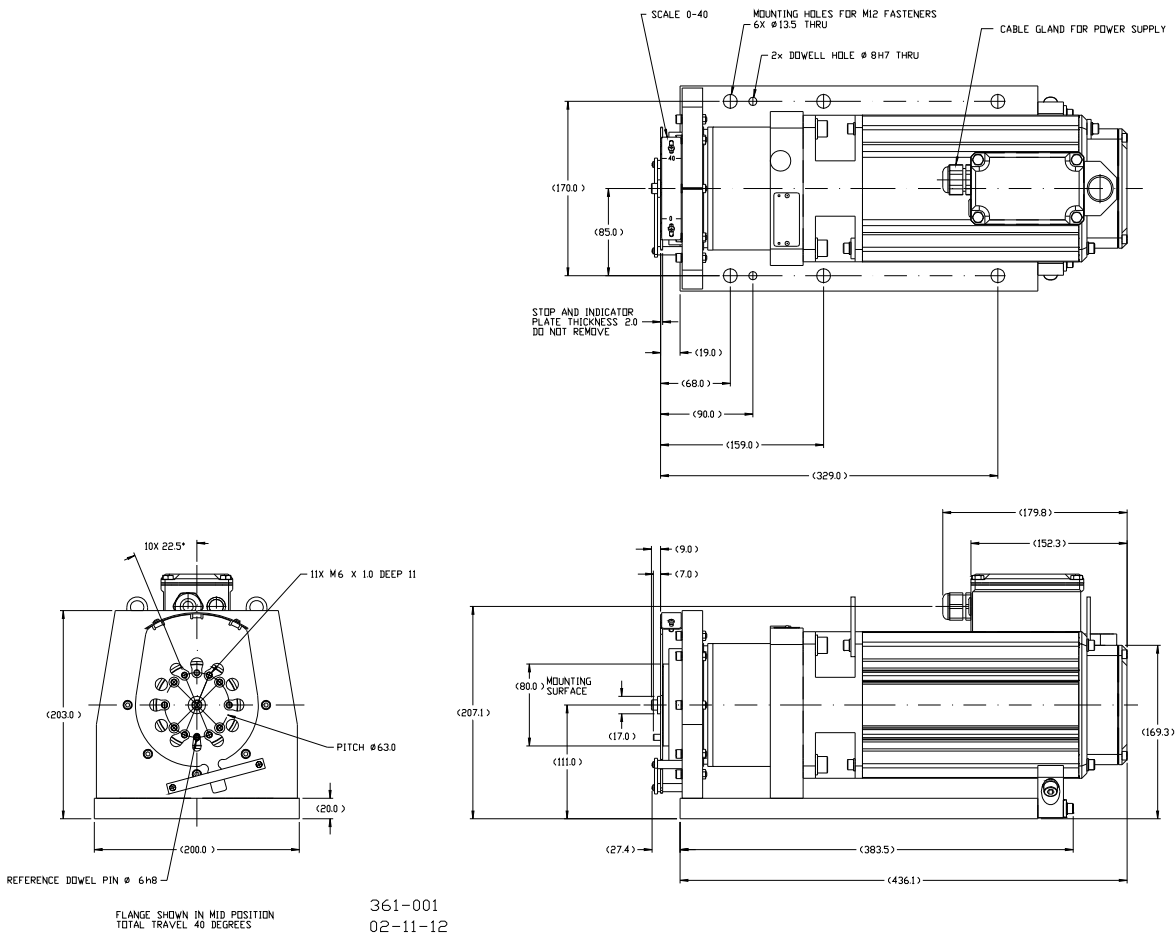
The EM-80 and EM-300 are all-electric actuator systems that provide 40 degrees of actuator output rotation. Each system consists of a three-phase brushless ac motor which drives a high-precision planetary reduction gear box. A dedicated driver controls the actuator position and allows monitoring of most features.

PC/Windows based software facilitates the system setup. The EM-80 and EM-300 are freely programmable to meet many customer requirements.

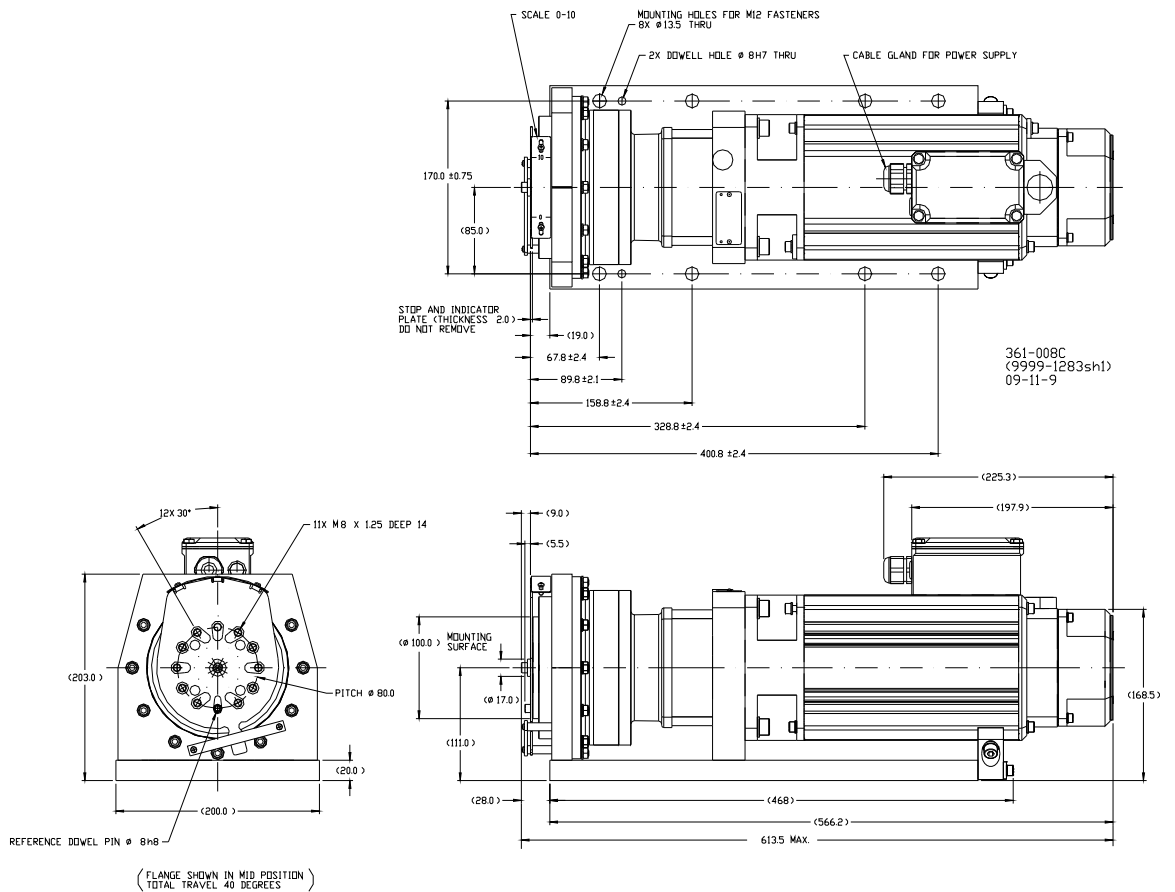
Specifications

| General Specifications | EM-80 | EM-300 |
|--|--|-------------------------------------|
| Nominal Torque Output (continuous) * | 91 N·m (67 lb-ft) | 260 N·m (192 lb-ft) |
| Maximum Torque Output (1 second max) | 190 N·m (140 lb-ft) | 429 N·m (316 lb-ft) |
| Nominal Work Output (continuous), 40° Travel * | 64 J (47 ft-lb) | 182 J (134 ft-lb) |
| Maximum Work Output (1 second max), 40° Travel | 133 J (98 ft-lb) | 299 J (221 ft-lb) |
| 10–90% Slew Time | 78 ms with no load | 192 ms with no load |
| | | |
| Actuator Specifications | EM-80 | EM-300 |
| Output Travel | 0–40°, no internal mechanical stops | 0–40°, no internal mechanical stops |
| Storage Temperature Range | –30 to +100 °C (–22 to +212 °F) | |
| Ambient Temperature Working Range | 0 to +85 °C (+32 to +185 °F) | |
| Mounting | Engine mounted. Actuator can be mounted in any orientation within 45° of horizontal using the actuator bracket. | |
| Vibration | Random: 0.01 G ² /Hz at 10 Hz, 0.1 G ² /Hz at 100 Hz, 0.1 G ² /Hz at 1000 Hz, 0.05 G ² /Hz at 2000 Hz (12.8 Grms) 3 hours per axis. | |
| Shock Qualification Testing | MS1—40 G 11 ms sawtooth | |
| Humidity Qualification Test | 55 °C (131 °F), 95% RH for two days at one cycle per day | |
| Approximate Weight (including bracket) | 35 kg (77 lb) | 38 kg (84 lb) |
| | | |
| Driver Specifications | | |
| Power Supply | 3-phase, 400–480 Vac, 50–60 Hz | |
| Rated Input Current | 16 A | |
| Maximum Output Current | 24 A | |
| Steady State Output Current | 12 A at 45 °C* | |
| Power Supply, PLC | 24 V ±10% (55 W max) | |
| Control Input | 4–20 mA, 1–5 V | |
| Position Output | 0–5 V | |
| Storage Temperature Range | –30 to +70 °C (–22 to +158 °F) | |
| Ambient Temperature Working Range | 0 to +55 °C (+32 to +131 °F) | |
| Relative Humidity | up to 85% (no condensation) | |
| Site Altitude | Below 2000 m (6500 ft) | |
| Ingress Protection | IP20 per IEC529 | |
| Mounting | The driver box is designed for installation in a control cabinet and should not be installed directly on the engine. | |
| Weight | 7 kg (15 lb) | |
| Cabling | Two cables are required between driver and actuator. Power supply cable—3-phase: standard plus protective earth Position sensor cable—The maximum length between driver and actuator is 100 m (328 ft). | |
| Filter | An EMI filter is added to the power supply to suppress emissions. | |
| Regulatory Compliance | Low-voltage directive 73/23/EEC | |
| DNV Certification | Drivers 3522-1004 through 3522-1012 EM-80 and EM-300 Actuators 8256-308 & 8256-310 | |

* Continuous torque and work output is limited for actuator ambient environments over 40 °C. See product manual for a complete derating schedule.



EM-80 Actuator Outline Drawing



EM-300 Actuator Outline Drawing
(Do not use for construction)

Features

The actuator output is an ISO 9409 flange. This allows for easy mounting of levers to simplify replacement. The orientation of the output flange relative to the bracket base is the same for each actuator. Additionally, the actuators are equipped with break-away stops that prevent the actuator from exceeding the maximum output travel range during setup. An output position indicator is standard.

The EM-80 and EM-300 systems include a mounting bracket with hole pattern. The bracket design ensures that stresses in the actuator are reduced to a minimum. Actuator specifications and performance are based on a system including bracket.

The actuators are equipped with a flying-lead position-sensor cable (including connector). A position sensor cable connecting the actuator and the driver is available. This cable is similar for both the EM-80 and the EM-300.

A single EM-driver is used for both the EM-80 and the EM-300. Only the software setup for each actuator system differs. Monitoring, alarm, and diagnostics are available.

An EMI power filter is supplied to suppress emissions.

Optional Features

The EM-80 and EM-300 systems include a bracket for mounting on the engine or turbine. A standard mounting hole pattern is provided. Alternative patterns are available on request.



PO Box 1519, Fort Collins CO, USA 80522-1519
1000 East Drake Road, Fort Collins CO 80525
Tel.: +1 (970) 482-5811 ♦ Fax: +1 (970) 498-3058
www.woodward.com

Distributors & Service

Woodward has an international network of distributors and service facilities. For your nearest representative, call the Fort Collins plant or see the Worldwide Directory on our website.

This document is distributed for informational purposes only. It is not to be construed as creating or becoming part of any Woodward Governor Company contractual or warranty obligation unless expressly stated in a written sales contract.

© Woodward 2002, All Rights Reserved

For more information contact:

2009/11/Fort Collins