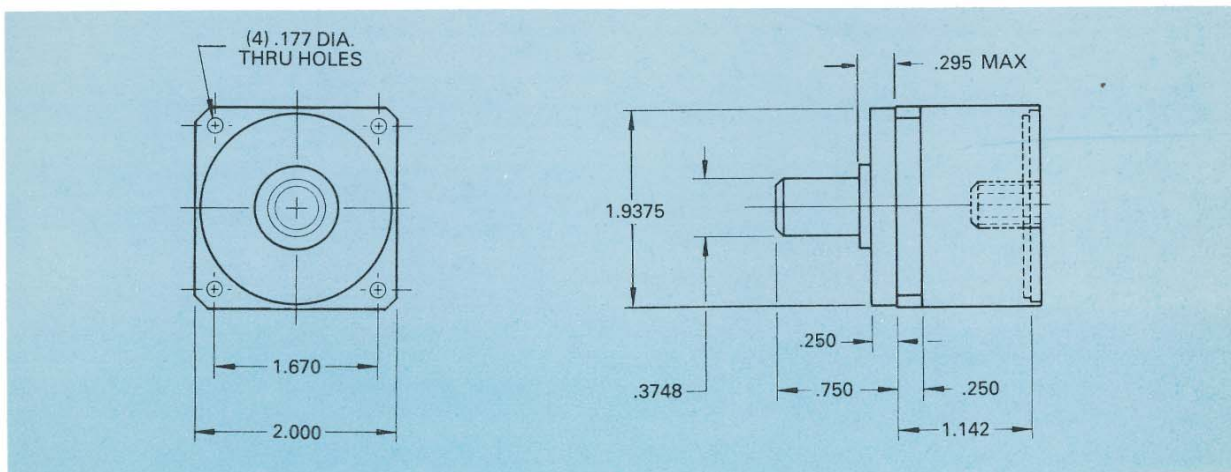


MECHANICAL DATA



PERFORMANCE DATA

| GEARHEAD TYPE | 18-6D | 18-3R | 18-2D | 18-1R | 18-1D | 18-1R |
|------------------------|---------------------|--------------------|-------------------|-------------------|--------------------|----------------------|
| RUNNING TORQUE (LB-IN) | 30 | 240 15 | 160 10 | 5 | 80 5 | 5 |
| STALL TORQUE (LB-IN) | 60 | 30 | 20 | 10 | 10 | 10 |
| BACKLASH* (ARC-MIN) | 10 | 10 | 15 | 30 | 30 | 30 |
| RATIO RANGE | 1.97 TO 20.50 | 21.7 TO 78.0 | 82.4 TO 296 | 313 TO 1130 | 1190 TO 4280 | 4340 TO 11,100 |

*With 5 oz-in reversing load.
Weight – 10.7 oz.

NOTES: 1. Other mounting and shaft configurations on request.
2. Slip clutches available on all ratios.
3. Specific ratios on request.