

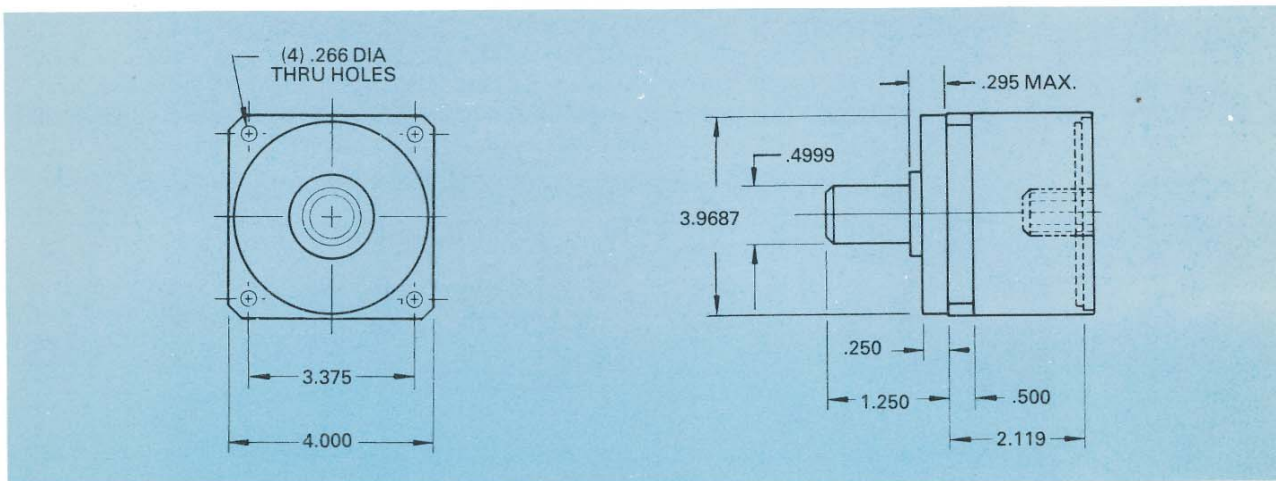


TYPE  
**40**

### FEATURES

- Life – 5000 hrs.
- Operating temp. range  
–65°C to +225°C
- Low backlash/compliance
- Low backdriving torque
- Rugged stainless steel construction
- Hardened gears

### MECHANICAL DATA



### PERFORMANCE DATA

GEARHEAD TYPE	40-6D	40-3R	40-2D	40-1R	40-1D	40-1R
RUNNING TORQUE (LB-IN)	450	225	150	75	75	75
STALL TORQUE (LB-IN)	900	450	300	150	150	150
BACKLASH* (ARC-MIN)	10	10	15	30	30	30
RATIO RANGE	5.31 TO 22.5	23.9 TO 101.2	108 TO 456	472 TO 1770	1880 TO 7970	8270 TO 31,000

\*With 5 oz-in reversing load.  
Weight – 100.0 oz.

NOTES: 1 – Other mounting and shaft configurations on request.  
2 – Slip clutches available on request on all ratios.  
3 – Specific ratios on request.