

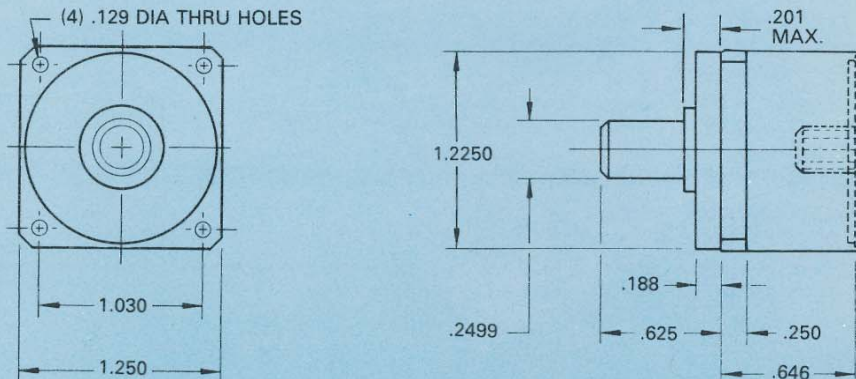
TYPE
11

FEATURES

- Life – 5000 hrs.
- Operating temp. range
–65°C to +225°C
- Low backlash/compliance
- Low backdriving torque
- Rugged stainless steel
construction
- Hardened gears



MECHANICAL DATA



PERFORMANCE DATA

GEARHEAD TYPE	11-6D	11-3R	11-2D	11-1R	11-1D	11-1R
RUNNING TORQUE (OZ-IN)	210	105	70	35	35	35
STALL TORQUE (OZ-IN)	420	210	140	70	70	70
BACKLASH* (ARC-MIN)	10	10	15	30	30	30
RATIO RANGE	1.85 TO 15.80	16.2 TO 82.7	84.9 TO 434	446 TO 1600	1640 TO 5900	6,060 TO 21,800

*With 3 oz-in reversing load.
Weight – 2.5 oz.

- NOTES:**
1. Other mounting and shaft configurations on request.
 2. Slip clutches available on request on all ratios.
 3. Specific ratios on request.

+1.847.673.8300