

1750 Push Series

Models 1756ES, 1756ESDB, 1757ES & 1757ESDB dual coil solenoids.

Externally switched push models available with double boot

Push Force Range: 16-26 lbs (71-116 N)

Hold Force Range: 35-37 lbs (156-165 N)

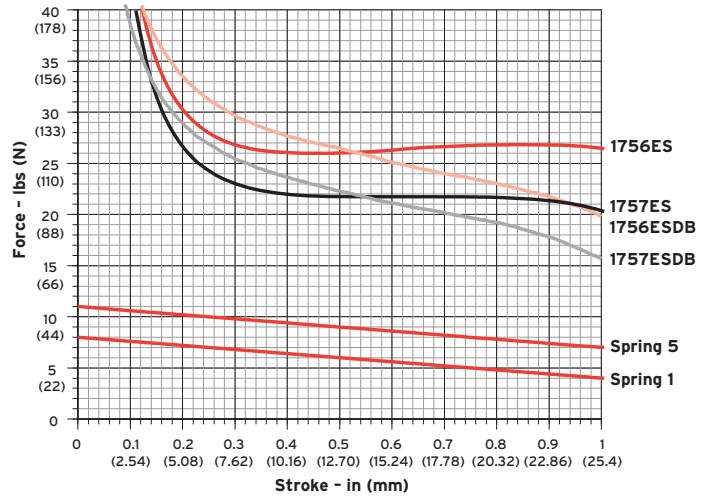


Model	Rated Voltage	Push Rating*	Hold Rating*
1756ES	12/24 Vdc	26 lbs (116 N)	35 lbs (156 N)
1756ESDB	12/24 Vdc	20 lbs (89 N)	35 lbs (156 N)
1757ES	12/24 Vdc	20 lbs (89 N)	37 lbs (165 N)
1757 ESDB	12/24 Vdc	16 lbs (71 N)	37 lbs (165 N)

*At rated voltage, 68°F (20°C), and 1" (25.4 mm) stroke

Return Spring

Model	Force @ 1"
S1 Light	4-8 lbs (17.8-35.6 N)
S5 Medium	7-11 lbs (31.1-48.9 N)



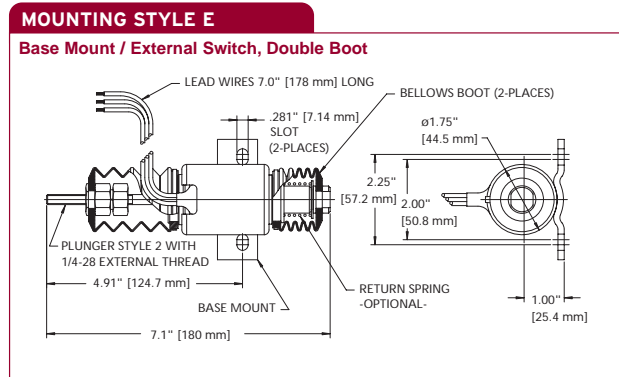
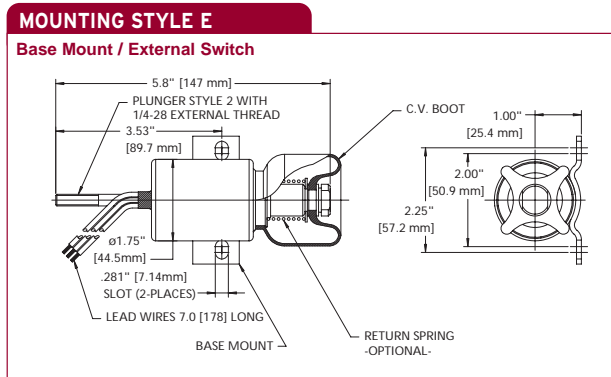
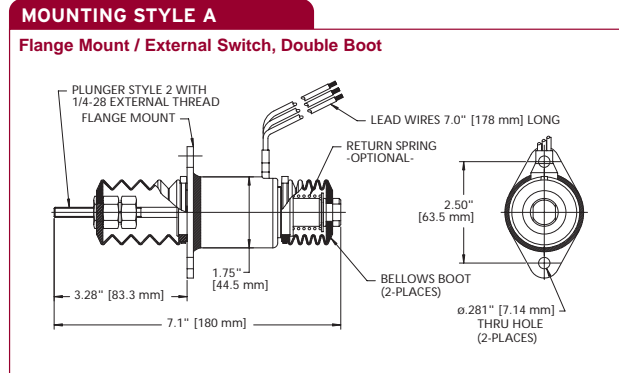
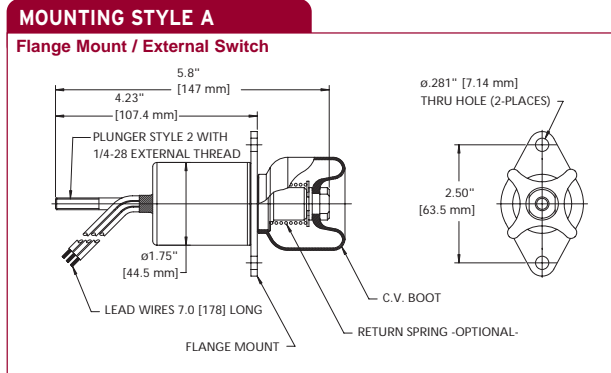
Order Information: Complete the following model descriptions to build your Order No.

() - () () () () () () ()

<p>Model No.</p> <p>1756ES</p> <p>1756 ESDB</p> <p>1757ES</p> <p>1757 ESDB</p>	<p>Volts</p> <p>12 12 Vdc</p> <p>24 24 Vdc</p>	<p>Mounting Style</p> <p>A Flange</p> <p>E Base</p>	<p>Plunger Type</p> <p>2 Ext. Thread ¼-28</p> <p>3 Ext. Thread M-6</p>	<p>Grounding (No. of Terminals)</p> <p>U Ungrounded (3 Terminals or Wire Leads)</p>	<p>Termination Type</p> <p>L 3 Wire Leads</p> <p>C Connector attached to 3 Wire Leads Note: Contact factory for type and availability</p>	<p>Boot Type</p> <p>B1 Constant Volume Silicone Rubber Not available on ESDB models</p> <p>B2 Bellows Silicone Rubber</p> <p>B4 Bellows Silicone Rubber</p>	<p>Return Spring (Force @ 1")</p> <p>S1 Light (4-8 lbs)</p> <p>S5 Medium (7-11 lbs) Available on 1756ES and 1756ESDB only</p>
--	--	---	--	--	---	--	---

When you order: Certain combinations may not be standard models. Please contact factory to determine whether a custom-built model is required for your application.

Mounting Styles:



Specifications:

Temperature Range	-40°F to +250°F (-40°C to +121°C)
Weight	1.5 lbs (0.7 kg)

Model	Rated Voltage	Rated Stroke	Push Current	Hold Current	Push Rating*	Hold Rating*	Coil Winding
1756ES	12 Vdc	1" (25.4 mm)	46 A	1.1 A	26 lbs (116 N)	35 lbs (156 N)	Parallel
1756ES	24 Vdc	1" (25.4 mm)	25 A	0.5 A	26 lbs (116 N)	35 lbs (156 N)	Parallel
1756ESDB	12 Vdc	1" (25.4 mm)	46 A	1.1 A	20 lbs (89 N)	35 lbs (156 N)	Parallel
1756ESDB	24 Vdc	1" (25.4 mm)	25 A	0.5 A	20 lbs (89 N)	35 lbs (156 N)	Parallel
1757ES	12 Vdc	1" (25.4 mm)	33 A	0.8 A	20 lbs (89 N)	37 lbs (165 N)	Parallel
1757ES	24 Vdc	1" (25.4 mm)	18 A	0.4 A	20 lbs (89 N)	37 lbs (165 N)	Parallel
1757ESDB	12 Vdc	1" (25.4 mm)	33 A	0.8 A	16 lbs (71 N)	37 lbs (165 N)	Parallel
1757ESDB	24 Vdc	1" (25.4 mm)	18 A	0.4 A	16 lbs (71 N)	37 lbs (165 N)	Parallel

*At rated voltage, 68°F (20°C), and 1" (25.4 mm) stroke

Specifications are for reference only.

e-mail: icinfo@woodward.com