



Product Manual 54056
(Revision B)
Original Instructions

PG Dial and Lever Governor Installation

Installation Manual



General Precautions

Read this entire manual and all other publications pertaining to the work to be performed before installing, operating, or servicing this equipment.

Practice all plant and safety instructions and precautions.

Failure to follow instructions can cause personal injury and/or property damage.



Revisions

This publication may have been revised or updated since this copy was produced. To verify that you have the latest revision, check manual **26311**, *Revision Status & Distribution Restrictions of Woodward Technical Publications*, on the *publications page* of the Woodward website:

www.woodward.com/publications

The latest version of most publications is available on the *publications page*. If your publication is not there, please contact your customer service representative to get the latest copy.




Proper Use

Any unauthorized modifications to or use of this equipment outside its specified mechanical, electrical, or other operating limits may cause personal injury and/or property damage, including damage to the equipment. Any such unauthorized modifications: (i) constitute "misuse" and/or "negligence" within the meaning of the product warranty thereby excluding warranty coverage for any resulting damage, and (ii) invalidate product certifications or listings.



Translated Publications

If the cover of this publication states "Translation of the Original Instructions" please note:

The original source of this publication may have been updated since this translation was made. Be sure to check manual **26311**, *Revision Status & Distribution Restrictions of Woodward Technical Publications*, to verify whether this translation is up to date. Out-of-date translations are marked with . Always compare with the original for technical specifications and for proper and safe installation and operation procedures.

Warnings and Notices

Important Definitions



This is the safety alert symbol. It is used to alert you to potential personal injury hazards. Obey all safety messages that follow this symbol to avoid possible injury or death.

- **DANGER**—Indicates a hazardous situation which, if not avoided, will result in death or serious injury.
- **WARNING**—Indicates a hazardous situation which, if not avoided, could result in death or serious injury.
- **CAUTION**—Indicates a hazardous situation which, if not avoided, could result in minor or moderate injury.
- **NOTICE**—Indicates a hazard that could result in property damage only (including damage to the control).
- **IMPORTANT**—Designates an operating tip or maintenance suggestion.

WARNING

**Overspeed /
Overtemperature /
Overpressure**

The engine, turbine, or other type of prime mover should be equipped with an overspeed shutdown device to protect against runaway or damage to the prime mover with possible personal injury, loss of life, or property damage.

The overspeed shutdown device must be totally independent of the prime mover control system. An overtemperature or overpressure shutdown device may also be needed for safety, as appropriate.

WARNING

**Personal Protective
Equipment**

The products described in this publication may present risks that could lead to personal injury, loss of life, or property damage. Always wear the appropriate personal protective equipment (PPE) for the job at hand. Equipment that should be considered includes but is not limited to:

- Eye Protection
- Hearing Protection
- Hard Hat
- Gloves
- Safety Boots
- Respirator

Always read the proper Material Safety Data Sheet (MSDS) for any working fluid(s) and comply with recommended safety equipment.

WARNING

Start-up

Be prepared to make an emergency shutdown when starting the engine, turbine, or other type of prime mover, to protect against runaway or overspeed with possible personal injury, loss of life, or property damage.

WARNING

**Automotive
Applications**

On- and off-highway Mobile Applications: Unless Woodward's control functions as the supervisory control, customer should install a system totally independent of the prime mover control system that monitors for supervisory control of engine (and takes appropriate action if supervisory control is lost) to protect against loss of engine control with possible personal injury, loss of life, or property damage.

NOTICE**Battery Charging
Device**

To prevent damage to a control system that uses an alternator or battery-charging device, make sure the charging device is turned off before disconnecting the battery from the system.

Electrostatic Discharge Awareness

NOTICE**Electrostatic
Precautions**

Electronic controls contain static-sensitive parts. Observe the following precautions to prevent damage to these parts:

- Discharge body static before handling the control (with power to the control turned off, contact a grounded surface and maintain contact while handling the control).
- Avoid all plastic, vinyl, and Styrofoam (except antistatic versions) around printed circuit boards.
- Do not touch the components or conductors on a printed circuit board with your hands or with conductive devices.

To prevent damage to electronic components caused by improper handling, read and observe the precautions in Woodward manual **82715**, *Guide for Handling and Protection of Electronic Controls, Printed Circuit Boards, and Modules*.

Follow these precautions when working with or near the control.

1. Avoid the build-up of static electricity on your body by not wearing clothing made of synthetic materials. Wear cotton or cotton-blend materials as much as possible because these do not store static electric charges as much as synthetics.
2. Do not remove the printed circuit board (PCB) from the control cabinet unless absolutely necessary. If you must remove the PCB from the control cabinet, follow these precautions:
 - Do not touch any part of the PCB except the edges.
 - Do not touch the electrical conductors, the connectors, or the components with conductive devices or with your hands.
 - When replacing a PCB, keep the new PCB in the plastic antistatic protective bag it comes in until you are ready to install it. Immediately after removing the old PCB from the control cabinet, place it in the antistatic protective bag.

PG Dial and Lever Governor Installation

Storage

The governor may be stored for short periods of time as received from the factory. For long-term storage, storage in a hostile environment (large temperature changes, humid or corrosive atmosphere), or if the governor is installed on the engine for storage, fill the governor with oil and follow preservation packaging instructions in Woodward Manual 25075, *Commercial Preservation Packaging for Storage of Mechanical-Hydraulic Controls*.

Governor Installation

Use care while handling and installing the PG Dial (PGD) or Lever (PGL) Governor. Be particularly careful to avoid striking the drive shaft or output shaft.

Do not set the governor on its drive shaft. Abuse can damage seals, internal parts, and factory adjustments.



WARNING

External fire protection is not provided in the scope of this product. It is the responsibility of the user to satisfy any applicable requirements for their system.



CAUTION

Due to typical noise levels in engine environments, hearing protection should be worn when working on or around the PG governor.



CAUTION

The surface of this product can become hot enough or cold enough to be a hazard. Use protective gear for product handling in these circumstances.



CAUTION

The governor is heavy (minimum 65 lb/29 kg). Use appropriate assistance when lifting or handling the governor to prevent personal injury.

NOTICE

Do not lift or handle the governor by the oil level gauge, which could damage the governor.

IMPORTANT

Throughout this manual, the words PRIME MOVER refer to either engine(s), turbine(s), or other types of prime movers.

Before Beginning The Installation, Read The Following Instructions:

The conventional PGD or PGL can be rotated either clockwise or counterclockwise. If the governor is factory set for one direction of rotation only, be sure the governor drive shaft rotation is correct. Incorrect direction of rotation can cause seizure of rotating parts. Governor drive shaft rotation is determined by looking at the governor from the top.

Make sure that the governor speed range is correct for your installation.

IMPORTANT

The governor speed range is stamped on the governor data plate. The prime-mover-to-governor coupling must provide a close but free fit. Make sure that no side loads are applied to the governor drive shaft. This coupling also must allow for thermal expansion without end loading the drive shaft.

WARNING

A misaligned drive shaft could break and could cause an overspeed condition.

Do not pound the drive coupling onto the governor drive shaft, or force the governor into position. A common drive shaft diameter is the 1-1/8 inch serrated shaft. Other drive shaft diameters also are used on the PGD or PGL governor. See Figure 1 for mounting base dimensions.

If an optional keyed drive is used, take care to avoid rough gear teeth and incorrect backlash when installing the governor. See Figure 1 for mounting-base dimensions. Refer to the prime mover manufacturer's specifications for the correct amount of backlash and for the adjustment procedure.

Place a gasket between the base of the governor and the engine mounting pad. Mount the governor squarely on its mounting pad and in line with the drive. Torque the mounting bolts evenly. There must be no movement or rocking of the governor on the engine mounting pad.

IMPORTANT

Refer to the engine manufacturer's specifications for torque limits when tightening the four governor mounting bolts.

Linkage Attachments

Refer to the prime mover manufacturer's manual for the correct linkage selection, installation, and adjustment. Be sure there is no lost motion or binding in the linkage.

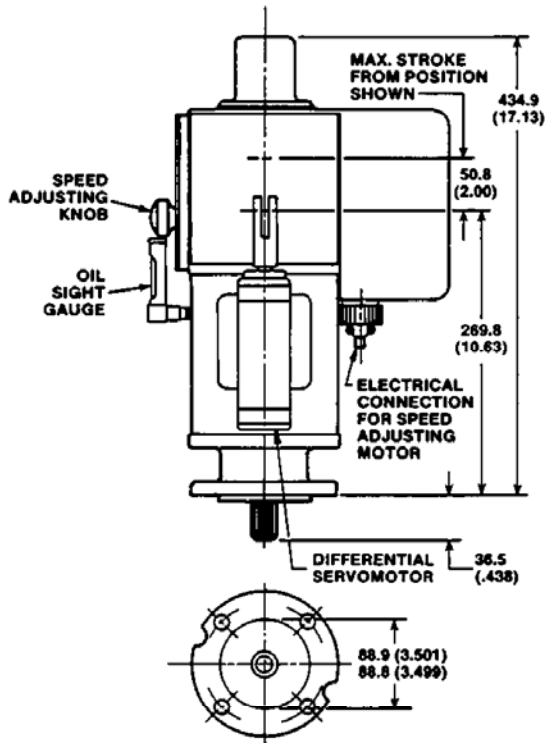
Several different types of linear servos are used. A common terminal shaft connection for the 12 ft-lb (16 J) rotary servo is a 3/4 inch serration. Special servos with maximum work capacity up to 50 ft-lb (68 J) are available (rated work capacity of a servo is not to exceed 2/3 of its maximum work capacity). Correct locking methods must be used on the linkage connections.

For diesel engine applications, use a linear linkage (see Figure 2). For applications involving a butterfly valve, such as on a gas or gasoline engine, use a non-linear linkage (see Figure 3).

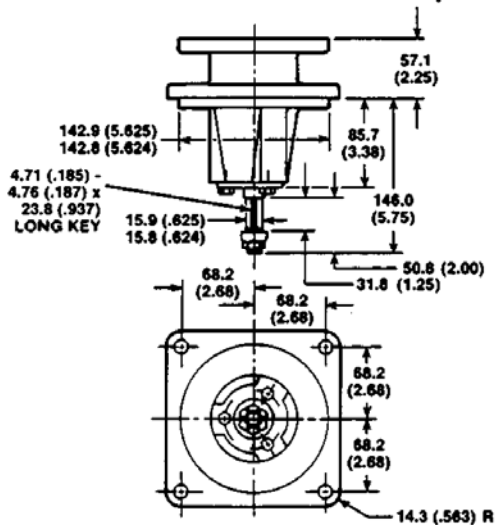
Linear-servo travel is one inch (25 mm) maximum, and rotary-servo travel is 30 degrees maximum. Recommended travel from no load to full load is 2/3 of maximum travel available. See Figure 4 for output shaft travel adjustment.

WARNING

Be sure to allow sufficient overtravel at each end of output shaft travel so the governor can shut down the prime mover and also give maximum fuel when required.

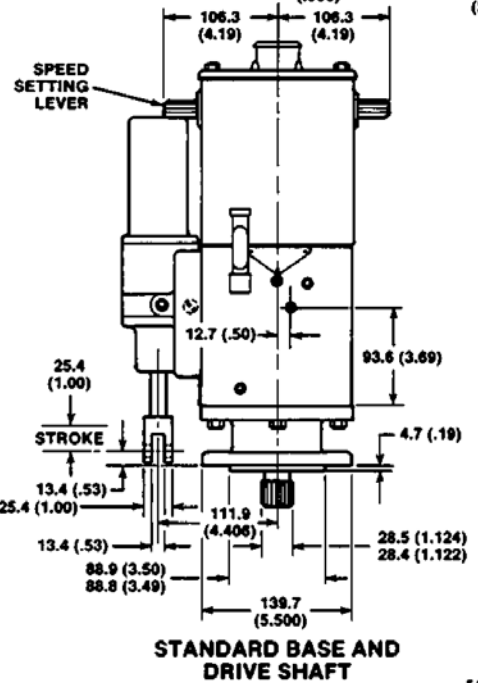
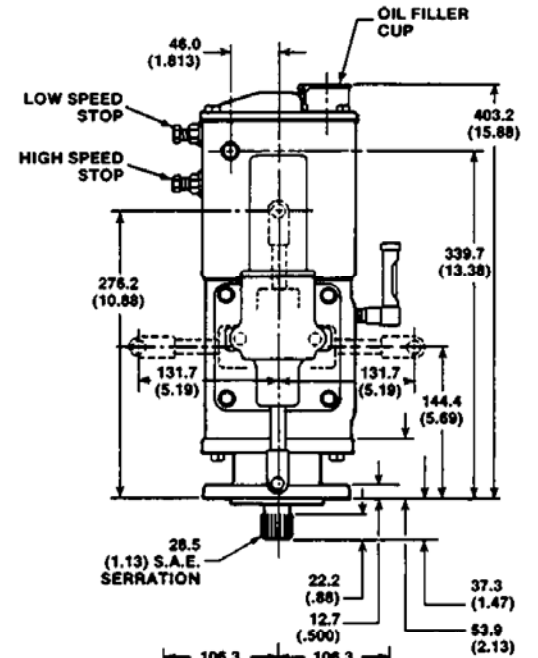


PG DIAL GOVERNOR WITH SPEED ADJUSTING MOTOR



OPTIONAL BASE ASSEMBLY (KEY TYPE DRIVE)

NOTE: INCHES SHOWN IN PARENTHESES



STANDARD BASE AND DRIVE SHAFT

54000-B-23

Figure 1. Outline Drawing of Typical PG Dial and Lever Governor

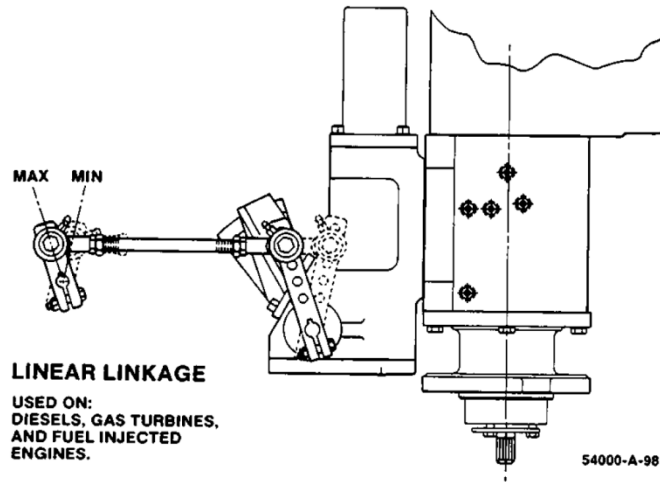


Figure 2. Linear Linkage Arrangement

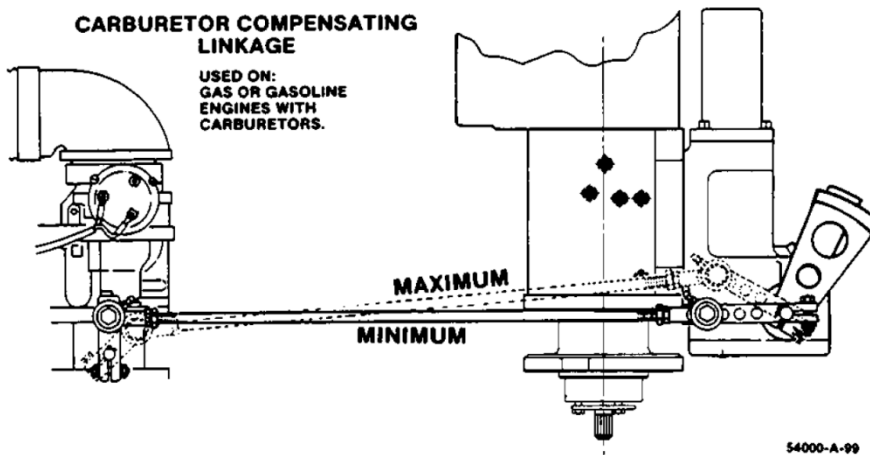


Figure 3. Non-linear Linkage Arrangement

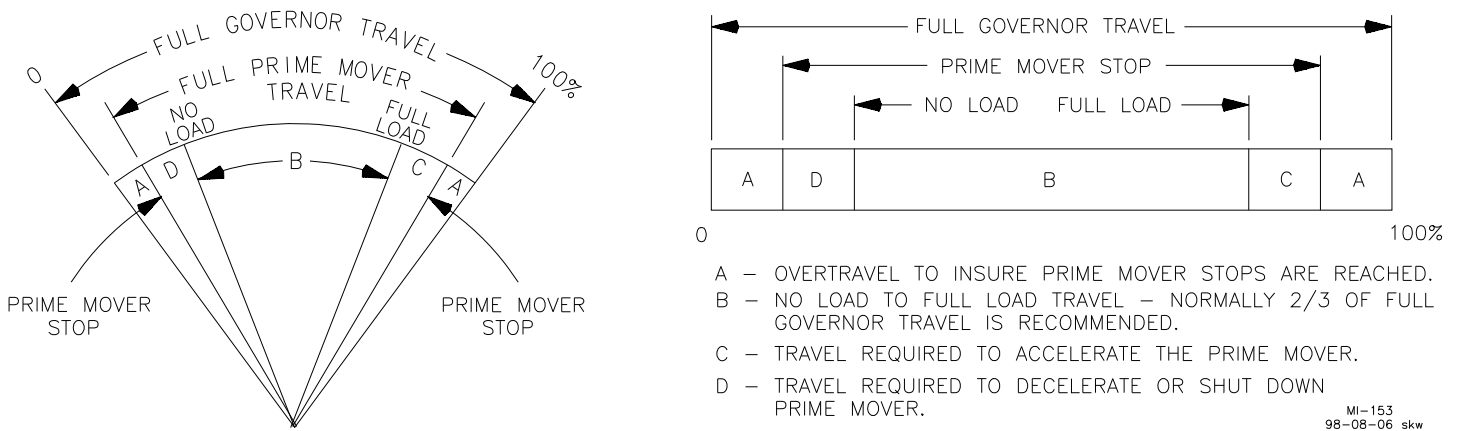


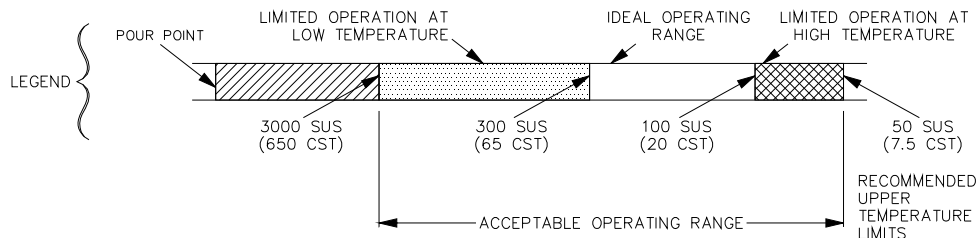
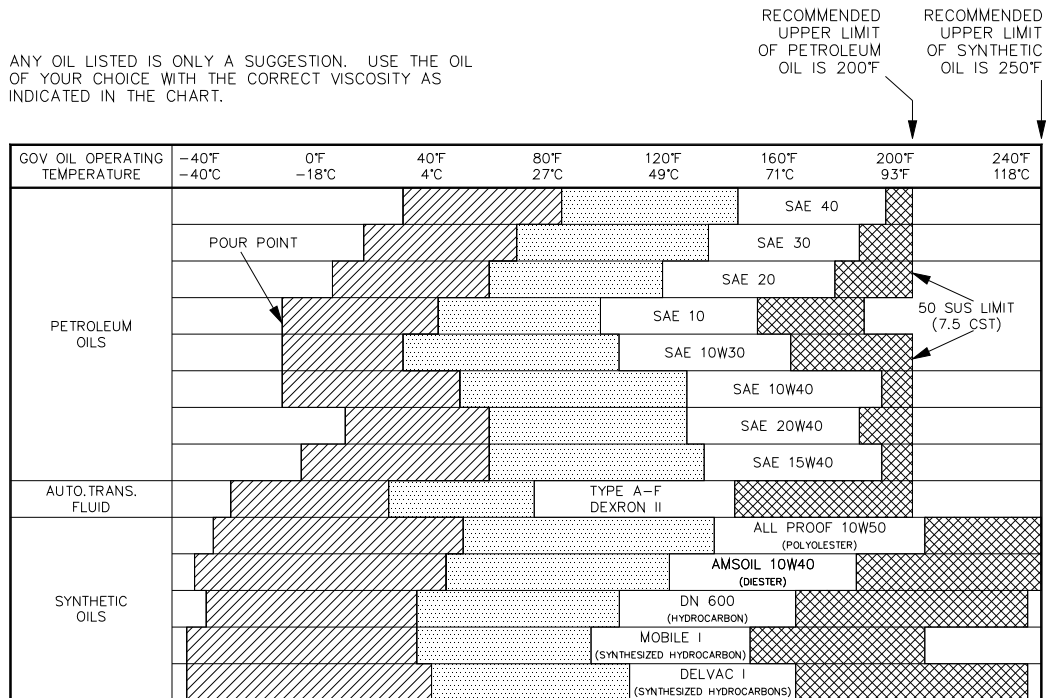
Figure 4. Recommended Governor Output Shaft Travel

When installing non-linear linkage, be sure the two following conditions are attained when the linkage is in the zero governor travel position:

1. The lever which is attached to the governor and the connecting link is in line with the governor output shaft and the point of attachment of the connecting link to the butterfly lever.
2. When the butterfly valve is closed, the butterfly valve lever must be at 90 degrees with the connecting link.

Oil Supply

Use Table 1 as a guide in the selection of a suitable lubricating/hydraulic oil. Oil grade selection is based on the operating temperature range of the governor.



250-079

Table 1. Oil Chart

This guide is NOT intended to be used in the selection of the engine, turbine, or other type of prime mover lubricating oil.

Be sure to use only clean oil. The source of most troubles in any hydraulic governor is in dirty, contaminated, or oxidized oil.

Governor oil viscosity at operating temperature must stay within the 50 to 3000 SUS (Saybolt Universal Seconds) range. Ideal oil viscosity at operating temperature is between 100 to 300 SUS.

**WARNING**

A loss of stable governor control and possible engine overspeed may result if the viscosity is not within the 50 to 3000 SUS range.

Governor oil must be compatible with seal materials such as nitrile, polyacrylic, and fluorocarbon. If in doubt, contact Woodward (information on the website, www.woodward.com).

The recommended continuous operating temperature of the oil is 140 to 200 °F (60 to 93 °C). The ambient temperature limits are -20 to +200 °F (-30 to +93 °C).

Measure the temperature of the governor on the outside lower part of the case. The actual oil temperature will be slightly warmer, by approximately 10 °F (6 °C).

The oil capacity of the PGD or PGL governor is approximately 1.5 US quarts (1.4 L). The total capacity depends on the type of servo. Servos with smaller work ratings require slightly less oil.

Before starting the engine, fill the PGD or PGL governor with the selected oil to the mark on the oil sight glass. If the oil sight glass has two marks, fill governor with oil to a level visible between the two marks.

NOTICE

Always check governor oil level during operation, once the governor has reached normal operating temperature, with engine idling. Oil must be visible in the glass under all operating conditions. Add oil, if necessary, to the required level.

A governor oil cooler is required if operating temperatures exceed 200 °F (93 °C), and speeds exceed 1200 rpm on an engine application or 1100 rpm on a steam turbine.

It also may be necessary to use an oil cooler at lower governor drive shaft speeds if the governor is mounted close to steam valves, or lines which result in high ambient temperatures.

Initial Operation

Before initial operation of the PGD or PGL equipped prime mover, be sure that all installation steps are successfully accomplished.

Normally, the only requirements for putting a new PGD or PGL governor into service are to:

1. Fill the governor with oil (see OIL SUPPLY).
2. Adjust the compensation needle valve to obtain maximum stability (see Compensation Needle Valve Adjustment Below).
3. Set the speed adjusting knob on the PGD, or the speed adjusting lever on the PGL, to give low speed at initial start-up.
4. Connect all auxiliary devices, if any (see Auxiliary Devices).

All other operating adjustments are accomplished during factory testing according to engine manufacturer specifications and should not require further adjustments.

NOTICE

Do not attempt internal adjustment of the governor unless thoroughly familiar with the proper procedure.

BEFORE STARTING THE ENGINE, be sure the PGD or PGL is set to give low speed at initial start-up.

WARNING

Be prepared to make an emergency shutdown when starting the engine, turbine, or other type of prime mover, to protect against runaway or overspeed with possible personal injury, loss of life, or property damage.

Start the engine as instructed by the prime mover manufacturer, and allow the governor to reach its normal operating temperature.

Compensation Needle Valve Adjustment

Make the following compensation adjustments on the governor with the prime mover operating at **lowest speed** setting to provide stable governor operation:

1. Open the compensation needle valve several turns to cause the prime mover to hunt.
If opening the needle valve alone does not cause the prime mover to hunt, manually disturb the governor speed setting to induce the governor to become unstable.
Allow the governor to hunt for several minutes to remove trapped air through the governor oil passages.
2. Close the compensation needle valve gradually until hunting is just eliminated. However, keep the needle valve open as far as possible to prevent sluggishness in the governor response.
The needle valve setting normally varies from 1/8 to 1 turn open, depending upon the particular prime mover. Never close the needle valve tight; the governor cannot operate satisfactorily with the needle valve closed.
3. Check engine stability by manually disturbing the governor speed setting.
The compensation adjustment is satisfactory when the engine returns to speed with only a slight overshoot or undershoot.
Once the needle valve adjustment is correct, it is not necessary to change the setting except for large permanent changes in temperature which affect governor oil viscosity.

IMPORTANT

Remote servo applications may require bleeding to remove air in addition to the needle valve adjustments outlined above.

NOTICE

The air bleed plug is under pressure. Do not remove while operating the governor.

4. Loosen the air bleed plug on the side of the governor case enough to establish an oil leak. See Figure 5 for the location of the air bleed plug on the governor case.

5. Bleed until air bubbles stop.
6. Tighten the air bleed plug and refill the governor with oil to the mark on the oil sight glass. Check the air bleed plug for leak after tightening.

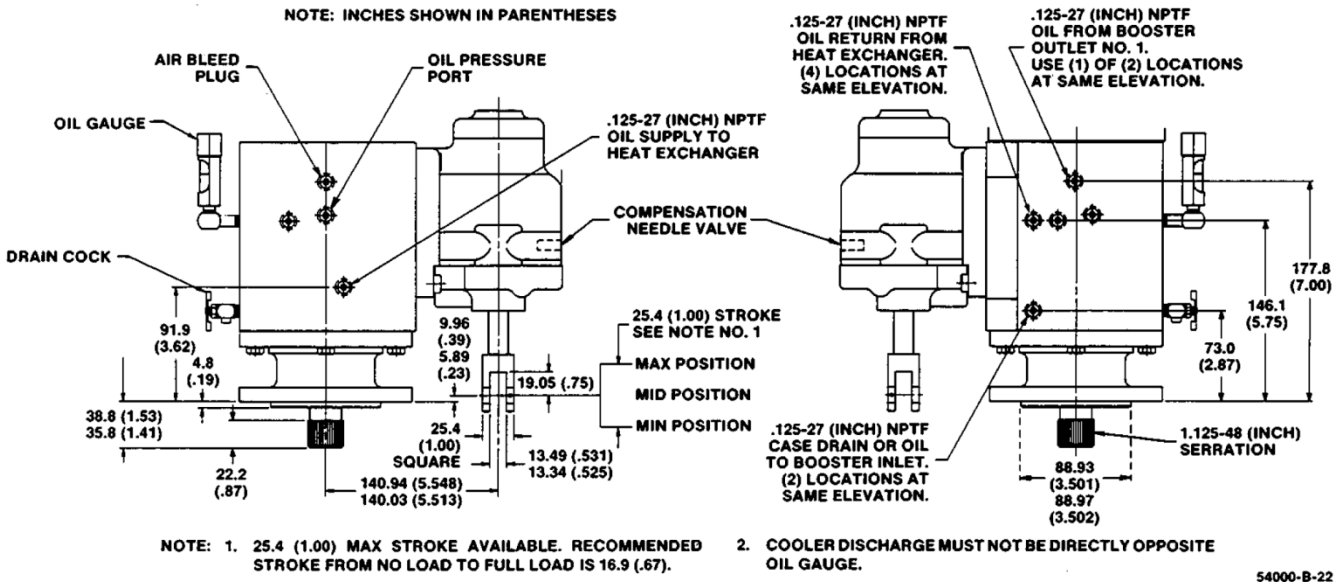


Figure 5. Case Connections for PG Dial and Lever Governors

7. Repeat steps 1 through 3.

IMPORTANT	<p>If normal troubleshooting procedures (see below) fail to eliminate hunting, contact Woodward for possible use of preloaded buffer springs.</p>
------------------	---

With preloaded buffer springs (see Auxiliary Devices below), a needle opening of 1/16 to 1/8 turn usually gives best performance. The needle valve must never be closed tight, as the governor cannot operate satisfactorily with the needle valve closed. Too great an opening of the needle valve will reduce the benefits of the preloaded buffer springs.

Troubleshooting Procedures

Normal troubleshooting procedures consist of the following checks:

1. Make sure that the speed changes observed are not the result of load changes beyond the capacity of the engine or turbine.
2. If the governor is on an engine, make sure that all cylinders are firing properly and that the injectors are in good operating condition.
If the governor is on a turbine, make sure that the steam valves are operating correctly.
3. Make sure there is no binding or lost motion in the operating linkage between the governor and the engine or turbine.
4. Be sure that there are no steam or fuel gas pressure changes.
5. Check the compensation needle valve for correct adjustment.

6. If neither load nor engine or turbine irregularities are found to be the cause of the speed variation, the cause may be either in the governor or in the engine or turbine drive to the governor.
7. Make sure governor operating oil pressure is 100 psi (690 kPa). This value, however, may vary between governors, depending on the required output work capacity of the power cylinder.
With the engine shut down, remove the plug from the pressure port on the governor power case and install a pressure gauge rated above the specified operating oil pressure.

The source of most troubles in any governor is dirty oil. The moving parts within the governor are continually lubricated by the oil within the governor. Grit and other impurities will cause excessive wear of valves, pistons, and plungers, and can cause these parts to stick and even to “freeze” in their bores.

In many instances, erratic operation and poor repeatability can be corrected by flushing the unit with fuel oil or kerosene while cycling the governor. The use of commercial solvents is not recommended as they may damage seals or gaskets.

Auxiliary Devices

Many auxiliary devices are available for use, either singly or in combination, for the PGD or PGL governor. Some auxiliary equipment may be supplied as original equipment only, and some may be installed in the field. Contact Woodward for information.

The following paragraphs give a brief description of some of the auxiliary equipment available from Woodward, and list the manuals where detailed information may be obtained. Publications listed are available on the Woodward website (www.woodward.com).

36014	PGD Governor Speed Adjusting Motor
36600	PG Governor Basic Elements
36602	Basic Elements, PG Governor with Differential Servomotor
36605	Overspeed Trip Test Device
36615	PG Governor, Lever Type Speed Setting
36618	PG-200/300 Case, Accumulator and Power Cylinder
36622	Speed Droop Mechanism for PGD Governor
36623	Back Pressure Controller for PGD Governor
36641	Governor Oil Heat Exchanger, Remote and Integral Types
36650	Solenoid Operated Shutdown Assembly
36653	Pressure Actuated Shutdown for PGD and PGL Governors
36680	Preloaded Buffer Springs
36684	Booster Servomotor
36692	PG Power Cylinder Assemblies
36693	PG Base Assemblies

Governor Oil Cooler

A governor oil cooler is required if operating temperatures exceed 200 °F (93 °C), and speeds exceed 1200 rpm on an engine application or 1100 rpm on a steam turbine.

It also may be necessary to use an oil cooler at lower governor drive shaft speeds if the governor is mounted close to valves or steam lines which result in high ambient temperatures.

Two basic models of oil cooler are available, the integral (bolt-on) and the remote type. If it is desired to add an oil cooler to a governor already in service, the remote oil cooler can be installed in the field. If the integral type cooler is desired, the governor must be returned to the factory for conversion.

Shutdown Devices

A shutdown device can be incorporated in the PGD or PGL to stop fuel to the prime mover if equipment fails.

1. An air, oil, or water shutdown device is available to shut down the prime mover on either high or low signal pressure. These devices are generally supplied where electrical devices cannot be used.
2. A solenoid shutdown device can be arranged to energize or de-energize to shut down. Solenoid coils are available to accommodate most common ac and dc voltages.



The shutdown solenoid must not be used as an overspeed protection device. Overspeed protection must come from a unit completely separate from the PGD or PGL.

Preloaded Buffer Springs

Preloading allows the governor to minimize fuel linkage movements resulting from changes in speed due to engine misfiring or pump instability.

The use of preloaded buffer springs does not change the capability of the governor to recognize and respond to speed changes.

Preloaded buffer springs do retard the rate at which the governor output piston (or shaft) moves when responding to small or momentary offspeeds. The output piston (or shaft) moves at the normal rate for large speed changes.

Preloaded buffer springs are often installed in PGD and PGL governors used on two-cycle spark ignition engines and on some engines driving reciprocating pumps.

Booster Servomotor

This device allows the engine to start quickly by supplying oil under pressure to the governor at the instant air is supplied to the engine. This enables the governor to move the engine linkage to the fuel-on position immediately.

PG Base and Power Cylinder Assemblies

A number of different base and power cylinder arrangements are available to conform to engine or turbine manufacturer's specifications. These are factory installed.

The base assembly can be furnished with either a serrated or keyed drive shaft. Refer to manual 36693.

Power cylinder work capacities are available from 12 to 200 ft-lb (16 to 271 J). Manual 36692 explains the various power cylinders, while manual 36618 explains the PG-200/300 Case, Accumulator, and Power Cylinder.

If problems are encountered with the installation or operation of the PG Dial or Lever Governor, contact Woodward.

We appreciate your comments about the content of our publications.

Send comments to: icinfo@woodward.com

Please reference publication **54056B**.



B54056:B



PO Box 1519, Fort Collins CO 80522-1519, USA
1000 East Drake Road, Fort Collins CO 80525, USA
Phone +1 (970) 482-5811 • Fax +1 (970) 498-3058

Email and Website—www.woodward.com

Woodward has company-owned plants, subsidiaries, and branches,
as well as authorized distributors and other authorized service and sales facilities throughout the world.

Complete address / phone / fax / email information for all locations is available on our website.