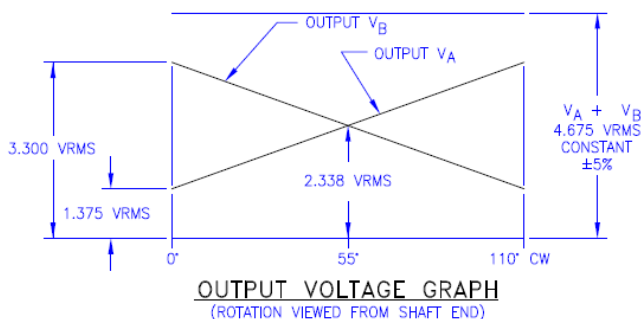
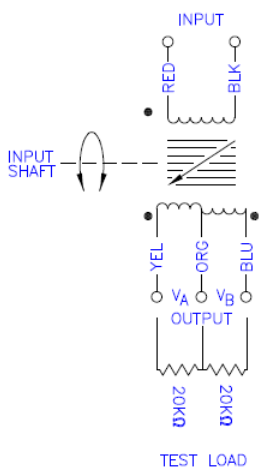
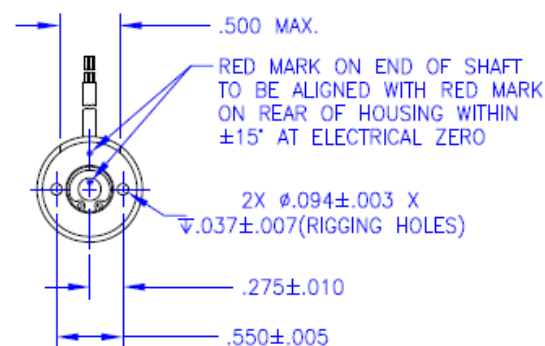
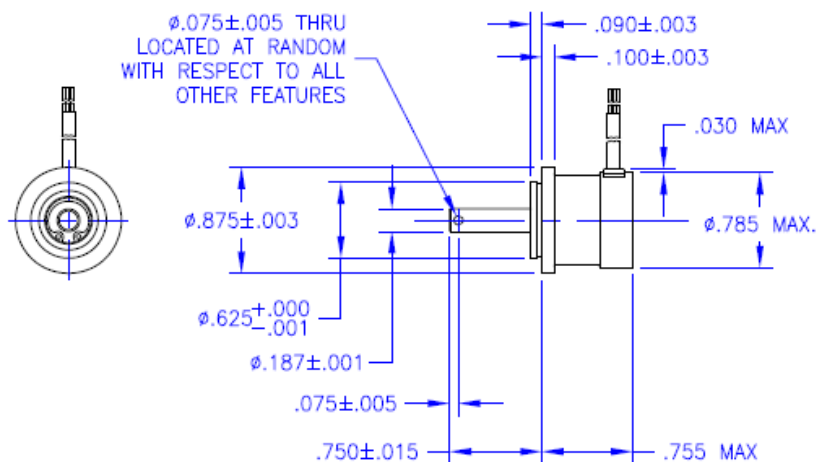


Extended Range One-cycle RVDT

- Extended angular operating range (+/-55 degrees)
- +/-1.5 degree accuracy @23°C
- Stainless steel construction, premium quality bearings
- Aerospace qualified
- Limited quantities available from stock
- Order Catalog Item: **3B1725A**

RVDT CHARACTERISTICS AT UNIT TEMPERATURE OF +23°C			
INPUT	VOLTAGE (VRMS)	7.0	
	FREQUENCY (Hz)	3000	
	IMPEDANCE (R + jX)	263 + j834	
OUTPUT	SCALE FACTOR (GAIN/DEG)	0.00749	
		(mV/DEG)	35.0
	OPERATING RANGE (DEG)	0 TO 110 CW	
	ACCURACY	SEE GRAPH	
	IMPEDANCE/HALF COIL (R + jX)	55 + j153	
	TEST LOAD (OHMS)	SEE SCHEM.	
	VARIATION W/TEMP (%/°C)	-55°C TO 125°C 125°C TO 200°C	0.007 0.010
WEIGHT (OZ MAX.)		1.7	



RVDT Output (Total Volts RMS)

