

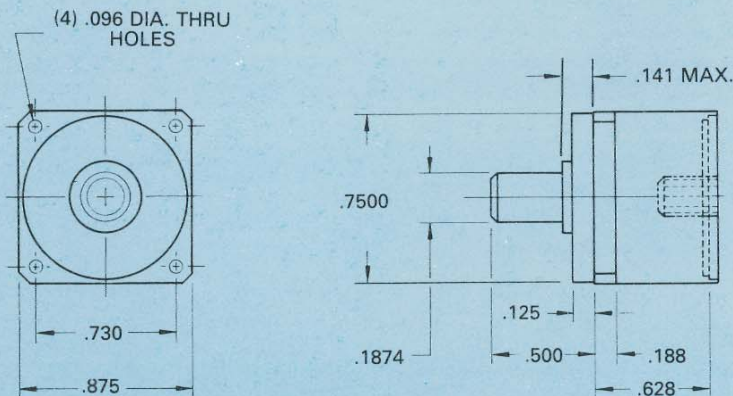
TYPE  
**9**



### FEATURES

- Life — 5000 hrs.
- Operating temp. range  
—65°C to +225°C
- Low backlash/compliance
- Low backdriving torque
- Rugged stainless steel construction
- Hardened gears

### MECHANICAL DATA



### PERFORMANCE DATA

GEARHEAD TYPE	9-6D	9-3R	9-2D	9-1R	9-1D	9-1R
RUNNING TORQUE (OZ-IN)	60	30	20	10	10	10
STALL TORQUE (OZ-IN)	120	60	40	20	20	20
BACKLASH* (ARC-MIN)	15	15	20	30	30	30
RATIO RANGE	1.94 TO 12.20	13.2 TO 42.9	46.2 TO 150.0	162 TO 356	384 TO 1250	1330 TO 2960

\*With 1 oz-in reversing load.  
Weight — 1.5 oz.

NOTES: 1. Other mounting and shaft configurations on request.  
2. Slip clutches available on all ratios.  
3. Specific ratios on request.